

Take Back Your Power

**A radical, safe, proven and
inexpensive approach to
health using micro-currents
of electricity**

The First Aid Kit of the Future

**"Most men occasionally stumble over the truth, but most pick
themselves up and continue on as if nothing had happened."
Winston Churchill**

By Robert C. Beck, D.Sc.

Revised January 2000

Take Back Your Power

A Proposal for Health Researchers*

by Robert C. Beck, D.Sc.

Revised January 2000

This research paper is based on laboratory experiments reported by researchers at a leading university proving that all pathogens—viruses, bacteria, fungi, moulds ... are neutralized by micro-currents of electricity.

- Since 1897, at least 20 patents have been filed related to electro-therapy devices.
- Since 1991, researchers have been reporting the health benefits of:
 - 1) Using micro-currents of electricity for *in vivo* (non-intrusive) blood electrification, and/or
 - 2) Applying a time-variant pulsed kilogauss magnetic field on the lymph system and/or;
 - 3) Ingesting ionic/colloidal silver and/or
 - 4) Drinking freshly ozonated water.
- Despite escalating feedback from health researchers about the success of this technology in overcoming Chronic Fatigue, AIDS, Hepatitis, Cancer, Lupus and other diseases there is no funding source for formal research projects.

This paper includes information on how to build your own devices to theoretically neutralize pathogens *in vivo*.

This paper is presented to spur further research using this technology. These devices should be considered experimental. They are not a panacea as lifestyle choices are also a major factor in determining health. Researchers must take full responsibility for their experimentation with this technology.

* Health Researchers include:

- 1) Health professionals who respect & work with individuals who take responsibility for their health and
- 2) Individuals who take complete responsibility for their health.

TABLE OF CONTENTS	Page
Summary of a Total Health Protocol	1
Introduction	3
Blood Electrification ... Abstract/Summary	4
Exact Means and Methods to Help Maintain or Regain Health	5–6
Newspaper Reports Linking Chronic Diseases to Pathogens	7–10
Blood Electrification & Colloidal Silver	11
<i>Science & Vie</i> Article & List of Patents	13
Magazine & Newspaper clippings	14
Excerpts from Patent #5,188,738	15–16
A Proposed Experimental/Theoretical, Noninvasive, Nonpharmaceutical, In Vivo Method for Rapid Neutralization of HIV Virus in Human Subjects	17–18
Improved Schematic for Plant Growth Stimulator with Colloidal Silver Output and Circuit Description	19
Location of Preferred Sites for Blood Electrification	20
Schematic to build an Experimental In Vivo Blood Clearing Device	21
Component Descriptions for In Vivo Blood Clearing Device & Code of Federal Regulations	22
Expanded Instructions for Experimental/Theoretical Blood Electrification	23–24
Total Cancer Remissions through Blood Electrification combined with Silver Colloid	25–26
Blood Electrification—The Easy In-Vivo Way	27–28
Making Your Own Colloidal Silver	29
Currently Preferred Silver Colloid Making Apparatus, Means, And Method	31–32
A Few Unique Plus Traditional Uses for Silver Colloid	33
“Banishing disease with three 9–volt Batteries” by Mark Metcalf	34–36
“Colloidal Silver, The Ultimate Antibiotic” brochure	37–38
Excerpt from <i>The Secret War Against the Jews</i> by Mark Aarons	39
Magnetic Pulse Generator	41
Suggestions for Acquiring an Inductively Coupled Magnetic Pulse Generator for Theoretical Lymph and Tissue HIV Neutralization	43–44
Location of Lymph Nodes for Magnetic Pulsing Sites	45
Water Ozonator	47
A New Paradigm for Instant Healing & Ozone Revisited and Ozone Generator Design	49–51
Ozone Reactions with Commonly Used Chemicals	52–54
Quick Summary—The Four Protocols	55
Certification	56
Background Information: Robert C. Beck, D.Sc.	57

Summary of a Total Health Protocol

An Introduction to my Research

© Copyright April 8, 1998 by Dr. Robert C. Beck, D.Sc., USA

I Believe the amazing breakthrough you'll read about in the following pages is proving to be the most important medical discovery in decades - or perhaps ever.

I Believe that anyone using this knowledge will be freed from sickness, infections, diseases and toxins, the third most common cause of all casualties in the US and the first cause of deaths in the third world.

I Believe this tested and true information can forever release *anyone* from doctors, pharmaceuticals, medicines of any description, hospitals, and incurable diseases presently known or undiscovered, plus biological warfare agents. Even cancer disappears when interleukin and interferon are again produced by a restored immune system.

Yet experience shows that 85% of the population will ignore, disbelieve, or vigorously resist these data: they're too simple, cheap, effective and revolutionary. This also requires assuming responsibility for your own health. Medical "authorities" may never tell you this secret since it could ruin their incomes. You'll see why this dynamite truth must be suppressed to preserve medical profiteering and egos.

What is it? It's now scientifically established that mild, safe and simple electrification neutralizes all bacteria, germs, viruses, parasites, pathogens, fungi and other foreign invaders in blood. Results are rapid, dirt cheap, comfortable and without side effects. Medical "cures" once strove to match expensive antibiotics to the few germs they killed before many diseases evolved as strain-resistant. Today's new paradigm is harmless, infallible, and hasn't encountered any resistant micro-organism. Unlike antibiotics and vaccines and their targets, you don't even care what anything is called medically. Nothing known or unknown remains "incurable".

How? Average adults have eight pints of blood harboring trillions of hostile pathogens and viruses, plus their mutations - the progeny of thousands of invaders. Your blood normally circulates past a given point in under nine minutes. So when you attach electrodes directly outside arterial pulse points on one wrist, a gentle biphasic electric stimulus applied for a few hours introduces a comfortable 50-100uA (microamperes) into your flowing blood without puncturing skin. This causes spontaneous remissions of any known, unknown or emerging diseases. Techniques developed since 1991 (Beck) have enabled hundreds of previously sick and dying subjects to

experience sero-conversion of AIDS, regain health and become symptom-free as verified by before-and- after PCR and other tests. Previous sufferers from numerous other "incurable" conditions are now well again. Many had undergone every medical treatment known with no cures. Electrification, rediscovered and reported many times over the years, has been mentioned briefly in journals since the 1800's then suppressed or disbelieved. Electrification's most recent rediscovery was in 1990 at Einstein College of Medicine by Kaali and variations re-patented. (Example: US Patent #5,188,738 in 1993).

My research shows everything necessary to take back your power and free anyone from slavery to disease and to the avarice and incompetence of health professionals who have wasted over 1.3 billion dollars to date on non-existent antibiotics and vaccines for "incurable" AIDS alone. If you choose to build your own device for electrification, there's nothing else to buy besides a few electronic parts which should last indefinitely. After that the only cost is for replacement batteries, or about \$2.00 per total "cure" for any known disease. Excellent professional instruments are offered by several ethical manufacturers if you're in a hurry or can't build your own.

An obvious problem is this suppressed "secret" can decimate hospital, pharmaceutical, doctor, and "health care" incomes. "A patient cured is a customer lost." Also it could overload Social Security rolls with healthy citizens over 65. It restores health and "well being-ness" to anyone who applies it correctly. Combined with Kilogauss magnetic pulsing of lymph and organs to induce back-e.m.f. which scavenges latent and germinating pathogens, and silver colloids to control secondary and opportunistic infections, plus rapid detoxification with ozonated drinking water, this is proving to be the best Universal CURE-ALL ever known! It's YOURS. It's PERFECTED. It's here NOW. Full instructions and easy plans for building your own devices are available.

Although not destined to be "politically correct" except in the underground, and generally doubted by skeptics who haven't tried it or are threatened, you can easily use these data secretly to heal yourself and your friends. It may never be approved by the FDA. But hundreds of fully recovered patients who've used electrification are today's living proof that IT WORKS! *I personally have nothing for sale.*

This research is offered for Educational Research and Informational purposes only... not intended as Medical Advice!

EXPLORE! VOLUME 8, NUMBER 4, 1998

Reprinted with Permission of Explore! Magazine. Phone:1-800-845-7866 or 360-424-6025

Blood Electrification...A Proven Cure-All?

Abstract/Summary

January 12, 1997 Copyright © 1997/98 Robert C. Beck, D.Sc.

Climaxing centuries of medical research, an “accidental” re-discovery at Albert Einstein College of Medicine in 1990 resulted in a reliable, positive, reproducible and recently patented (U.S. #5,188,738) cure for “incurable” diseases including AIDS, cancer, gulf war syndrome, biological warfare plagues plus emerging viruses. Essentially it consists of passing microcurrents (50-100 μ A) through flowing blood, which has the potential to eliminate *all* infections and is proven to restore damaged immune systems. This appears to have been suppressed because electromedicine instead of pharmaceuticals drastically limits cartel profits and re-empowers patients’ sovereignty over all diseases. Strangely, it was never again mentioned except in *Science News*, March 30, 1991, pg. 207. The only cost to try this research is the cost of parts to build your own instruments or to purchase them from a reliable source.

Hundreds of thousands of men, women, and children receiving state-of-the-art medical care die traumatically and financially stressed *every* year with “incurable” diseases. But this breakthrough consisting of mild electrification of blood while still in the body is proving for some to be reliable, simple, rapid, highly effective and inexpensive. It requires no medicines, pharmaceuticals, or outside intervention. It can be used privately and gives people back to themselves. It is vastly superior to antibiotics and other known treatments, since electrification when properly applied has no side effects. Lifestyle changes to improve health are, of course, important as well.

Cancer treated by currently acceptable allopathic techniques (surgery, radiation and chemotherapy) costs an average of \$375,000 but patients seldom survive five years. With self-administered electrification, typical costs are under two hundred dollars. An optimally functioning immune system has long been known to eliminate cancer, yet cancer is generally treated as a separate disease. Electrification in the laboratory is secretly proven to work with a variety of diseases and no “antibiotic” or “charge-resistant” strains of infectious invaders or side effects are yet known to exist. But you may never see electrification mentioned in a politically correct or establishment-serving media. Results would be too fast, cheap, revolutionary and user-attainable for vested interest profits. The adaptation of this laboratory research for use by individuals is now yours to try.

The author has spent several years researching all aspects of electrification and can suggest do-it-yourself apparatus and simple techniques which have the potential to safely eliminate all pathogens, bacteria, virus, parasites, fungus, and germs which devastate health and are immune system destroyers. Many previously dying patients have come forward now completely well and symptom free. *Anyone* can do this for himself if his unconscious death-wish agendas or disbelief in new discoveries or blind faith in the medical “priesthood” are overcome. If the user assembles his own system from scratch, everything should total about \$50 minimum up to \$450 maximum depending on which devices you make for this one-time investment. If working instruments are purchased from manufacturers, this cost could be more. Everyone using electrification should experience some health benefits immediately, even if not knowingly afflicted.

All four synergistic and essential elements are fully described. They are:

- (1) Building or acquiring a functioning battery-powered blood electro-purifier that attaches externally to the Radial and Ulnar artery pulse points on one wrist. Suggested use is for a minimum of four weeks with daily electrification of two hours.
- (2) A very simple and inexpensive instrument for making any quantity of Ionic Silver Colloids for pennies ensuring anyone an intact secondary immune system.
- (3) A high-intensity magnetic pulser which destroys any residual germinating or incubating pathogens in lymph and other organs by inducing back e.m.f. in tissue consequently preventing self re-infection.
- (4) An ozone generator easily made with tropical fish store components to charge drinking water with O_3 . Ozone comfortably detoxifies by oxidation any wastes which the body must eliminate to regain health.

Exact Means And Methods to Eliminate Infectious Viruses, Bacteria and Other Pathogens to Help Maintain or Regain Health

Copyright © 1998 Robert C. Beck, D.Sc. March, 1999

The complete process is described here in detail to allow anyone to successfully achieve recoveries and insure that the currently proven methods will never again be "lost" or suppressed.

What You Do.

- 1) Blood electrification for a minimum of 2 hours per day for a minimum of 4 weeks. Apply salt-water moistened electrodes over Ulnar and Radial arteries on opposite insides of same wrist. A Velcro® and elastic strap holds electrodes in place. You must electrify blood for two hours every day for at least four weeks. This should not interfere with other activities. As your blood circulates normally, enough will be flowing along this path in the forearm until most blood in your body is eventually treated by the 50 to 100 microampere current flowing internally. About 3 to 5 milliamperes is necessary at the skin to overcome resistive losses through tissue before current reaches blood.
- 2) Drink 3 to 5 ppm self-made Ionic Silver Colloid daily. Costing under 1¢ per gallon, colloids are shown to easily control opportunistic infections. This gives you a second intact immune system.
- 3) Apply your magnetic pulse generator for about 20 minutes daily by positioning and pulsing coil over lymph nodes and internal organs. Pulse each time it recharges at several second intervals. Pulses of high intensity time-varying magnetic flux generate a measurable back e.m.f. in adjacent tissue thus neutralizing any residual germinating and incubating pathogens. Without this step, sufferers have been known to sometimes re-infect themselves. Conventional *permanent* magnets cannot be substituted for this purpose.
- 4) Drink as much ozonated water as you can comfortably ingest daily. You must generate fresh ozone yourself each time and drink immediately since O₃ has a half-life of only a few minutes. All known pathogens and cancers are anaerobic. O₃ aids their elimination by oxidation and speeds your detoxification and recovery with no discomfort. Consuming O₃ water flushes neutralizing pathogens, wastes and toxins from your system.

THESE FOUR STEPS WORK SYNERGISTICALLY AND SHOULD BE USED TOGETHER.

A TECHNICAL EXPLANATION OF EACH UNIT FOLLOWS:

HOW AND WHY YOU must DO THIS

- 1) *The blood electrifier* and ionic silver colloid maker are usually combined in one small plastic box typically 3 ¼ X 2¼ X 1 inch (cigarette pack size) containing one outlet for wrist electrodes and a second for colloid making. A single 9V transistor radio battery drives a voltage tripler, and a single-IC-chip switches the 27V from negative to positive 3.92 times each second. A biphasic square wave with sharp rise-time output is fed to a 3.5 mm jack connecting to two 3/32" stainless steel or gold-plated electrodes 1" long each covered with two layers of 100% cotton flannel saturated with diluted salt water. A potentiometer allows users to adjust output until comfortable. Red and green LED's show polarity reversal (essential for safe blood electrification) and overall system functioning. A grain-of-wheat lamp indicates current flow when making ionic colloid. Precise electrode locations are determined by carefully feeling arterial pulse points on opposite insides of same wrist and positioning saturated electrodes precisely along the paths where arteries come closest to surface. Locations are critical, since the objective is to supply maximal current into blood and not waste it in surrounding flesh. Typical impedance measured from electrode-to-electrode may be as low as 2000 Ω. Adjust output for strongest comfortable level. Schematics, parts lists and instructions for a three 9 V battery design are detailed in this paper. Anyone can build his own system; you need nothing except replacement batteries. However commercially available systems are inexpensive, reliable, and are useable immediately.

2) **Ionic silver colloids** of excellent quality and freshness are easily user-made as follows: Pure silver (.999) or better yet, .9999 (4 nine) 14 gauge electrodes providing anode and cathode about 6" long, are immersed in distilled water. Some prefer "golden" colloids, easily made by heating 2 cups of distilled water to the boil in a non-metal container. Immerse silver wires and activate the 27 Volt DC output for ~15–20 minutes to produce 3 to 5 ppm. The colloid will probably be clear but if run longer will turn a golden yellow.

Stir and drink two or three times daily.

Store silver ionic/colloidal silver in dark brown bottles.

Keep out of light and do not refrigerate.

3) **Magnetic Pulser:** This extremely useful tool neutralizes active, hibernating or incubating pathogens being normally processed in lymph, spleen, liver, skin, kidney, stomach muscles and other tissue. It is easily made by purchasing or winding a ~2.5 millihenry coil and driving it with a ~35 to 70 Watt-Second (Joules) electronic flash or "strobe" (A Joule is $\frac{1}{2} CV^2$ where C is in microfarads and V is in Kilovolts.) A self-wound inductance of ~130 T #14 or 16 GA, plain enameled magnet wire works well. A 2.5 mH audio speaker cross-over coil is prettier. The coil is simply wired between one electrode of the strobe flash lamp and its capacitor.

The device, if self-made, costs less than \$50 and is vastly more powerful than \$5000 to \$7000 commercial devices of far less measurable power. The open coil kicks a steel washer several feet into the air when pulsed thus showing the "occult" (invisible) energy going into your body during use. A typical finished device tests 600 mfd. 330-350V, 36.75 W*S, 21,490 Gauss, 115 Amperes peak, 31,050 Ampere Turns pulse rise time ~1.8 microseconds, pulse duration ~2.5 milliseconds, penetration ~9" in tissue. Along with its ac power supply it fits in a box 3¼ x 4½ x 11 with an external applicator coil 2¾" dia. x 1 3/8" thick on a 4' cord. (These details are offered for professionals only.) You can contact SOTA Instruments Inc. for the devices: 1-800-224-0242, Fax: 250-814-0047, PO Box 1269, Revelstoke, BC V0E 2S0 or PO Box 866, Point Roberts, WA 98281-0866.

4) **Ozonized Drinking Water:** Before adding this final step to the "magic four", we had some very uncomfortable full-blown AIDS patients while they were detoxifying. By *drinking* ozone-charged water, some of the benefits of ozone use such as insufflation (O₃ enemas), autohemotherapy, O₃ injections and blood bubbling, Oxygen Bars and Hyperbaric Chambers are enjoyed and made simple and inexpensive. Tanks of "medical oxygen" (identical to welding oxygen) require medical prescriptions. Ozonized water is made from oxygen in ambient air and costs nothing.

MAKING YOUR OWN: You can purchase ozone generators legally in tropical fish (aquarium) stores. Preferred is the 200 mg/hour stainless steel Sander (brand) ozonizer used with an aquarium aerator pump. (Avoid models using aluminum, metal or ceramic i.e. alumina ozone electrodes.) Air, pumped through a bubble-making "stone," is passed through chilled water. Depending on the strength of the ozone maker you buy, water becomes "saturated" in a few minutes and must be drunk immediately. You can see an increase in % blood oxygen saturation which often reaches 100% within minutes. Be aware that ultra-violet although cheaper is not as effective as a good quality, cold-corona high voltage ozonizer. Construction and use is fully explained in this paper.

WARNING: *If you are ill with AIDS or your immune system is seriously compromised and you choose to try this program, it is advisable to work with a knowledgeable holistic health practitioner. If your symptoms clear and you stop the program prematurely (after only the minimum schedule) your symptoms may return worse than ever. It is important to continue the program for an extended period to ensure the immune system has an opportunity to regain the necessary strength and deal with the toxins and pathogens that must be expelled.*

EVEN CHRONIC DISEASES ARE BEING LINKED TO VIRUSES AND BACTERIA

The newspaper articles on the following three pages from the Los Angeles Times on April 22, 1999 link pathogens such as viruses and bacteria to diseases ranging from ulcers to cancer.

Similar information has been printed in several magazines and newspapers over the last few months.

Why shouldn't the headlines read?

**CONQUER "INCURABLES" WITH MICROCURRENTS!
BLOOD AND TISSUE ELECTRIFICATION IS A PERFECTED,
STARTLING, RAPID, INEXPENSIVE AND SAFE DISCOVERY
FOR PROVEN REMISSIONS**

**A SUPPRESSED MEDICAL BREAKTHROUGH NOW
APPARENTLY GUARANTEES ANYONE TOTAL POWER TO
REVERSE PREVIOUSLY "INCURABLE" DISEASES INCLUDING
CANCER AND AIDS WITH A SIMPLE ELECTRONIC DEVICE.**

COLUMN ONE

Spreading a New Idea on Disease

■ **Mounting evidence may link viruses and bacteria to everything from gallstones to Alzheimer's.**

By THOMAS H. MAUGH II
TIMES MEDICAL WRITER

Ignaz Semmelweis was ahead of his time. Working at Vienna General Hospital in the 1850's, the Hungarian physician was one of the first to adopt the idea that germs cause disease.

Semmelweis noted that doctors would perform autopsies in the hospital's basement, then care for healthy pregnant women without cleaning their hands. Many of the women developed fatal fevers, and Semmelweis reasoned that the doctors were transferring some kind of infectious agent from the corpses to the women.

Contagion was a radical idea at a time when illness was thought to be caused by bad blood or other mysterious forces, and Semmelweis was ridiculed for his ideas.

Today, we know that most acute diseases are caused by bacteria, viruses and other agents.

Now, a growing number of latter-day Semmelweises are advocating an even more radical notion—that viruses and bacteria play a major role in many chronic diseases where infection has never been suspected.

At a time when much research focuses on the genetic underpinnings of disease, researchers say, it is time to take a fresh look at how an old foe— infections—can interact with genes to produce chronic disease.

If they are right, physicians might soon have new antibiotic and antiviral weapons to add to their arsenal for treating heart disease, Alzheimer's, kidney stones, gallstones and a variety of other chronic conditions. It might even be possible to develop vaccines to prevent some of these conditions.

Already, bacteria and viruses have been firmly linked to ulcers, liver cancer, cervical cancer, leukemia and Kaposi's sarcoma.

Strong evidence is also unfolding for other diseases:

- Epidemiologists have found that a majority of heart disease patients have been infected with a common bacterium and Canadian researchers recently reported a mechanism by which it could trigger heart disease. Some researchers suspect that as many as 80% of all cases of heart disease are linked to infections.
- Pennsylvania scientists have found the same bacterium in the brains of patients with Alzheimer's disease.
- Finnish biologists have strong evidence that a previously unrecognized bacterium can produce kidney stones.
- More tentatively, other researchers have linked infections to a broad spectrum of diseases, ranging from Crohn's disease and irritable bowel syndrome to obsessive compulsive disorder, schizophrenia, multiple sclerosis and arthritis (see box).

Studies Focusing on Antibiotics

The links to infection raise "the prospects for treating and preventing these chronic diseases" said biologist Paul Ewald of Amherst University. "If it's a bacterium that is susceptible to a wide range of antibiotics, that is incredibly encouraging."

Already, some small studies have suggested that antibiotics might prevent heart attack and three large clinical trials enrolling nearly 8,000 people have begun or are beginning. Neurologists are also preparing a trial using antibiotics to treat Alzheimer's disease, and it is likely that trials for other chronic diseases are on the horizon.

That doesn't mean you are going to be able to throw away your blood-pressure medicine or eat more fatty foods. Infections are just one more risk factor to add to the complex equations determining risk. Some researchers believe, for example, that controlling infections might have the same benefit for heart disease patients as lowering cholesterol.

"This to an idea whose time has come," said Dr. W. Ian Lipkin of the UC Irvine School of Medicine. "We have been tracking [this] for many years, and it is finally achieving some respectability."

The new discoveries are occurring in part because some researchers are choosing to look for links to infectious agents. But more important, perhaps, has been the development of sophisticated DNA-based techniques for identifying the presence of trace quantities of bacteria or viruses.

Polymerase chain reaction (PCR) technology, widely heralded for its use in providing genetic fingerprints of humans, can be used to fish out the genetic fingerprints of viruses or bacteria in human tissue, even though the organisms are present only in minute quantities.

"If [the viruses or bacteria] were causing disease in an obvious way," Ewald adds, "we would have seen it long ago. It shouldn't surprise us...that every new one we find tends to be a little more cryptic."

The godfather of the new movement is Dr. Barry J. Marshall who was at the Royal Perth Hospital in Australia in 1981 when he and Dr. J. Robin Warren began studying an unidentified spiral bacterium that they observed in stomach linings.

After several years of study, they concluded that the bacterium, named *Helicobacter pylori* is the cause of most ulcers not associated with over-ingestion of painkillers—an idea that the vast majority of physicians considered laughable at the time. They also found that eradicating the bacteria, which is found in the stomachs of a third of Americans, cured the ulcers.

But it was not until Marshall himself, now at the University of Virginia, swallowed a vial of *H. pylori* and developed a painful case of gastritis that other physicians began to be convinced. "That surprised people," Ewald said.

"At least two generations of doctors were trained to think of ulcers as being caused by too much stomach acid," said Dr. Monty Bodenheimer of the Long Island Jewish Medical Center in

Continued

DISEASE: Infections' Role Studied

New Hyde Park, N.Y. "But now we know differently and don't treat ulcers as too much acid. We treat the infection."

Current guidelines, in fact, call for the use of two antibiotics plus an anti-acid drug, but many doctors have not yet gotten the message. A recent Colorado study showed that 46% of patients seeking treatment for ulcers are never tested for *H. pylori* by their physicians.

Subsequent studies have also shown a strong link between the bacterium and stomach cancer.

Some researchers have also found tentative links between *H. pylori* and heart disease, the No. 1 killer in the United States. Others think the villain might be either cytomegalovirus, a herpes virus, or even the bacteria in dental plaque.

But the strongest evidence implicates another bug, called *Chlamydia pneumoniae*, in heart disease. Discovered in the 1980s, *C. pneumoniae* is now known to be widespread in the environment, causing, for example, at least 10% of all cases of pneumonia. It is also a close relative of *Chlamydia trachomatis* the most common cause of sexually transmitted disease in this country.

The idea that bacteria and viruses can damage the heart is not farfetched. The streptococcal bacteria that cause rheumatic fever also attack the heart, causing lingering damage. Several viruses attack the heart directly, causing myocarditis, which is often fatal.

Staphylococcal and streptococcal bacteria have also recently been shown to cause Kawasaki syndrome, a childhood disease that is marked by severe heart problems. If infectious agents can cause acute heart disease, some researchers reason, it is not a big leap to the idea that they can cause chronic disease as well.

Beginning in the late 1980's researchers such as Dr. J. Thomas Grayston of the University of Washington began finding high levels of antibodies against *C. Pneumoniae* in the blood of patients with heart disease.

Few paid much attention to such findings until 1995, when Dr. James Summersgill and his colleagues at the

University of Louisville found the same bacterium in the atherosclerotic plaques that blocked blood vessels taken from a patient undergoing bypass surgery.

Researchers have since found the bacterium in the blood vessels of virtually every heart disease patient studied, but never in vessels from healthy patients.

But just because the bacterium is at the scene of a crime doesn't mean it is necessarily a criminal. It may simply find plaque an ideal environment in which to grow. "*Chlamydia Pneumoniae* may just be an innocent bystander in diseased blood vessels," said Dr. John Danesh of Oxford University.

Nevertheless, proponents like Grayston think there are good reasons to suspect it. Scientists have long known that atherosclerosis is an inflammatory disease that affects vessels throughout the body, but particularly those supporting the heart and brain.

Heart disease develops when our immune systems mobilize to remove fat, cholesterol and other irritants from vessel walls. As immune cells called macrophages burrow into the arterial walls to gobble up foreign material, they can set off a vicious cycle of irritation and scarring.

Germ Warfare

Grayston and others suspect that *C. pneumoniae* exacerbates that inflammatory process, or may even provoke it in the first place.

Recently, Dr. Josef Penninger and his colleagues at the Ontario Cancer Institute in Toronto showed how that could occur. They reported that the surfaces of three strains of chlamydia carry a protein very similar to a protein found only in heart tissue.

When they injected the chlamydia proteins into mice, the mice developed heart disease. The question then is: If the bacterium contributes to the development of heart disease, will eradicating it reduce risk?

In February, Dr. Hershel Jick and his colleagues at Boston University Medical Center reported that patients who took tetracycline or quinolones—antibiotics known to kill *C. pneumoniae*—were less likely to have heart attacks than people who took other antibiotics or no

antibiotics. Other small studies have found similar results.

To test this idea on a larger scale, Grayston and Dr. P.K. Shah at Cedars-Sinai Medical Center in Los Angeles have independently begun testing the anti-chlamydia antibiotic Zithromax against a placebo to determine if the drug reduces heart attack risk. Zithromax manufacturer Pfizer Inc. is also conducting a large trial.

Perhaps even more surprising than *C. pneumoniae's* link to heart disease is a potential link to Alzheimer's, a devastating neurological disease that afflicts more than 4 million Americans.

Dr. Brian J. Balin of the Philadelphia College of Osteopathic Medicine and Dr. Alan P. Hudson of the Wayne State School of Medicine in Detroit reported at a November meeting of the Society for Neuroscience that they found traces of *C. pneumoniae* in the brains of 17 of 19 people who died of Alzheimer's disease, but in only one of 18 people who died from other causes.

They have since found it in 10 more Alzheimer's victims, Balin said in a telephone interview. "We wanted to be clear about what we found, so we used seven different techniques to identify it," he said.

The presence of inflammation in the brain triggered by an immune attack of the bacterium might explain studies suggesting that aspirin and other anti-inflammatory drugs delay the progression of Alzheimer's, he said.

Balin also noted that some Alzheimer's patients have told him that their cognitive ability improved while they were taking antibiotics for other conditions.

That might be giving us a clue," he said. He plans to conduct a clinical trial to see if antibiotics can slow the progression of Alzheimer's in its early stages.

Triggering an immune attack may not be the only way that bacteria cause chronic disease. Other recent studies suggest that certain bacteria can act like the proverbial grain of sand that triggers the formation of a pearl in an oyster. But in these studies, the bacteria produce kidney stones and gallstones.

Biochemist E Olavi Kajander of the

Continued

DISEASE: New Theory

University of Kuopio in Finland has spent the last decade studying new strains of bacteria that he calls nanobacteria because they are extremely small, some as small as a virus.

The nanobacteria have been unknown in the past, he said, because they are so small and because they are extremely difficult to grow in the laboratory. But he has found that 5% of the Finnish population has antibodies against nanobacteria, indicating that those people have been infected at some time.

Last July, Kajander reported that every one of 30 kidney stones he and his colleagues took from various patients had nanobacteria in their centers. His lab

had previously shown that the bacteria cloak themselves in a shell of crystalline minerals. He speculates that such bacteria, which live in urine, act like a seed around which calcium and other minerals can grow to form a large stone.

"I think it is the first real theory as to what" is the seed in kidney stones, said Dr. Leroy M. Nyberg of the National Institute of Diabetes and Digestive and Kidney Diseases.

Dr. Phillip B. Hylemon of the Medical College of Virginia suspects that more common bacteria, clostridia and eubacteria, may play a similar role in gallstones. He found that gallstone patients have 100 to 1,000 times as many of these bacteria in their intestines as do healthy people.

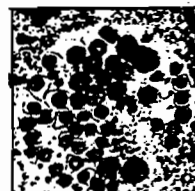
He also reported last year that giving such patients antibiotics reduced their levels of bile—a bitter fluid produced by the liver to aid digestion—below the threshold necessary to make gallstones.

Many experts believe that researchers have just barely begun to scratch the surface in looking for dangerous infectious agents.

"My gut feeling is that the more we look, the more we are going to find microorganisms that have taken up residence in the human body," said biologist Hal B. Nash of Western Wyoming College. "Some may not be doing any harm, but others may be doing quite a bit."

Spread by Germs

Several chronic diseases once thought to be caused solely by genes and lifestyle have now been shown to be caused, at least in part, by infectious agents. Others have been tentatively linked to such agents as well.



Chlamydia pneumoniae bacteria in arterial plaque

Photo courtesy Dr. P.K. Shah, Cedars-Sinai Medical Center

FIRMLY LINKED

Disease	Organism
Liver cancer	Hepatitis B virus Hepatitis C virus
Cervical cancer	Papilloma virus
Leukemia	HTLV-1 virus
Ulcers	Helicobacter pylori
B-cell lymphoma	Epstein-Barr virus
Nasopharyngeal cancer	Epstein-Barr virus
Burkitt's lymphoma	Epstein-Barr virus
Kidney stones	Nanobacteria
Kawasaki syndrome	Staphylococcus bacteria Streptococcus bacteria

SUSPECTED

Disease	Organism
Heart disease	Chlamydia pneumoniae
Juvenile diabetes	Coxsackie B virus
Obsessive-compulsive disorder	Streptococcal bacteria
Alzheimer's disease	Chlamydia pneumoniae
Schizophrenia	Brona virus
	Influenza virus
Gallstones	Clostridia and eubacteria
Breast cancer	Human version of mouse Mammary tumor virus
	Mycobacterium paratuberculosis
Crohn's disease	Mycoplasma pneumoniae
Juvenile rheumatoid arthritis	Mycoplasma
Scleroderma	

LYNN MEERSMAN / Los Angeles Times

Blood Electrification and Colloidal Silver

Translation from *Science & Vie*, September 1998, a French magazine

“White cells (leukocytes) kill bacteria and pathogenic fungi by electrocuting them. Discovered by Jacques Schrenzel and Karl Heinz Krause, Geneva University Hospital, Switzerland, this defense mechanism is triggered as soon as receptors of the white cell detect the microbe’s presence. This signal activates an enzymatic system on the leukocyte’s membrane, composed of a “sleeping” enzyme (NADP II oxidize) and co–enzyme (NADP II), the reaction begins by the enzyme “waking up”, receiving electrons from its co–enzyme, and transporting them through the membrane. Ejected out of the white cell, this electronic flux is focused toward the bacteria with oxygen molecules and the microbe dies. This discovery might open new lines of research on immunity deficiencies in patients who are deprived of this enzymatic system.”

Translated from *Science & Vie*, Issue #972, September, 1998, page 44. Telephone: 01–46–48–48–48 and Fax: 01–46–48–48–67.

Looking at this totally as a “physics” or “engineering” problem, a few structured electrons can act as the equivalent of trillions of white cells and restore function to one’s immune system! The electrons cost pennies.

US Patents:

Amazingly similar discoveries have been made by scientists and are a permanent record in the US Patent Office since the 1880’s. Why don’t we know of these? Many work far more effectively than expensive antibiotics and have no side effects and practically no costs.

Since the Abraham Flexner propaganda funded by pharmaceutical company owner John D. Rockefeller in 1910 forbade accredited medical universities and researchers from using or even investigating electromedicine, breakthrough discoveries are usually discredited and the public is forced to spend billions of dollars annually with “medicines” which may be worthless or vastly improved for almost nothing.

Here is a condensed reference list of US Patents which professional researchers may find interesting:

I Direct application of electricity to kill or attenuate microorganisms in liquid.

- 1) Kaali 5,188,738
- 2) Kaali 5,137,684
- 3) Lathrop 5,133,352
- 4) Ellis 4,019,510
- 5) Myers 3,753,886
- 6) Jones 592,735 (1897)
- 7) Dawson 3,965,008
- 8) La Comme 672,231 (1901)

II Applications of Magnetic Fields to Kill or Attenuate Micro–Organisms.

- 1) Hofmann 4,524,074
- 2) Middleton 5,645,697
- 3) Forrest 5,248,437

III Application of Magnetic Fields in the Treatment of Cancer.

- 1) Costa 4,665,898
- 2) Liboff 5,437,600
- 3) Gordon 4,106,488
- 4) Gordon 4,303,636
- 5) Gordon 4,622,952

IV Application of Electricity and Magnetic Fields to produce other Biological Effects.

- 1) Cadossi 4,683,873 (Fuse Bone)
- 2) Ryaby 4,266,532 (Modify Cells)
- 3) Findl 4,428,366 (Reduce Serum Glucose)
- 4) Chang 4,822,470 (Cell Electroporation)

Shocking Treatment proposed for AIDS

Zapping the AIDS virus with low-voltage electric current can nearly eliminate its ability to infect human white blood cells cultured in the laboratory, reports a research team at the Albert-Einstein College of Medicine in New York City.

William D. Lyman and his colleagues found that exposure to 50 to 100 microamperes of electricity — comparable to that produced by a cardiac pacemaker — reduced the infectivity of the AIDS virus (HIV) by 50 to 95 percent. Their experiments, described March 14 in Washington, D.C., at the First International Symposium on Combination Therapies, showed that the shocked viruses lost the ability to make an enzyme crucial to their reproduction, and could no longer cause the white cells to clump together — two key signs of virus infection.

The finding could lead to tests of implantable electrical devices or dialysis-like blood treatments in HIV-infected patients, Lyman says. In addition, he suggests that blood banks might use electricity to zap HIV, and vaccine developers might use electrically incapacitated viruses as the basis for an AIDS vaccine. For scientists working to create contraceptive devices that repel sperm with electricity, the new study also hints at a

BUSINESS WEEK/SCIENCE & TECHNOLOGY

APR. 5, 1993 page 83

THE LACK OF SYMPTOMS DOESN'T REFLECT AIDS' EARLY STRENGTH

One of the great puzzles of AIDS is why the disease usually takes years to develop. During the long period between initial exposure to the HIV virus and the first symptoms, scientists have detected only small amounts of the virus in the blood. This suggested that the infection exists at a low, latent level before it flares up.

But two new studies reported in the Mar. 25 issue of *Nature* overturn this theory. Researchers at the University of Minnesota at Minneapolis, the National Institutes of Health, and other institutions have found massive amounts of the virus present during the early, symptomless stage of the disease. Up to 25% of the cells in the lymph nodes are infected with the virus, reports the team led by Minnesota's Ashley T. Haase.

The results, raise questions about current treatment. If so many immune-system cells are infected, drugs that are typically given later may not control the disease. The findings suggest that drugs should be started as soon as the infection is discovered. That "might reduce the amount of virus later," says oncologist Howard M. Temin of the University of Wisconsin, who co-authored an analysis of the studies in *Nature*.

shown electrical current can weaken the virus believed to cause acquired immune deficiency syndrome.

The two men said they plan to move to the next phase of the experiment in April using blood samples from people with AIDS.

If their tests are successful, the researchers hope it could lead to new way to treat AIDS patients, possibly involving a dialysis-type

SPECIAL SECTIONS

OUTER LIMITS

"Electrocuting the AIDS Virus

"ELECTROCUTING"

THE AIDS VIRUS A SAFER-YET BLOOD SUPPLY

Despite official reassurances about the safety of the nation's blood supply, concern lingers that small amounts of HIV-infected blood may be sneaking through, especially since current screening detects only antibodies to the virus, which can take months to form. But now a new electrical process for cleaning blood of viruses may solve the problem.

At the Albert Einstein College of Medicine in New York City, Steven Kaali, M.D., has found that most of the AIDS viruses in a blood sample will lose their infectious capability after being zapped by a very low-level current. Repeated exposure appears to leave blood virtually free of HIV, as well as hepatitis—without harming blood cells.

Kaali cautions that it will take years of testing before a virus-electrocuting device is ready for use. But, ultimately, he predicts, it could be used not just to purify blood, but to treat people with AIDS, by channeling their blood out of the body, exposing it to virus-

LONGEVITY

DECEMBER 1992

A PRACTICAL GUIDE TO THE ART AND SCIENCE OF STAYING YOUNG

killing current and then returning it. "By lowering the viral count," he says, "we may be able to lengthen and improve the quality of AIDS patients' lives."

—Sharon McAuliffe

A-10 /The Houston Post/Wednesday, March 20, 1991

YOUR HEALTH/MEDICINE

Scientists say electric current may help fight AIDS

REUTER NEWS SERVICE

NEW YORK — Doctors at a prestigious New York medical center are testing a new way to fight AIDS — using electrical energy to weaken the killer virus — and say their first results are encouraging.

Researchers William Lyman and Steven Kaali of the Albert Einstein School of Medicine said Tuesday that initial laboratory tests have

Lyman, an AIDS researcher and associate professor of pathology at Einstein, likened the new technique to chemotherapy.

"You are not going to get rid of the tumor, but you could get rid of enough of it to help the patient lead a normal life. This is not a cure but a new tool," Lyman said.

He added that the use of electrical energy has no toxic side effect and that a similar technique has been used as a treatment for reducing herpes.

machine in which an AIDS patient's blood would be treated with electrical current outside the body.

"What we have done is expose the AIDS virus in laboratory circumstances to electrical current and then incubated the virus with white blood cells susceptible to the virus. We found that the virus became much more ineffective," Kaali, a specialist in the medical use of electrical current, said.



US005188738A

United States Patent [19]

[11] Patent Number: **5,188,738**

Kaali et al.

[45] Date of Patent: * Feb. 23, 1993

[54] ALTERNATING CURRENT SUPPLIED ELECTRICALLY CONDUCTIVE METHOD AND SYSTEM FOR TREATMENT OF BLOOD AND/OR OTHER BODY FLUIDS AND/OR SYNTHETIC FLUIDS WITH ELECTRIC FORCES

FOREIGN PATENT DOCUMENTS

995848 7/1983 U.S.S.R. 210/243

[76] Inventors: Steven Kaali, 88 Ashford Ave., Dobbs Ferry, N.Y. 10522; Peter M. Schwolsky, 4101 Cathedral Ave., NW., Washington, D.C. 20016

OTHER PUBLICATIONS

Proceedings of the Society for Experimental Biology & Medicine, vol. 1, (1979), pp. 204-209, "Inactivation of Herpes Simples Virus with Methylene Blue, Light and Electricity"—Mitchell R. Swartz et al.

[*] Notice: The portion of the term of this patent subsequent to Aug. 18, 2009 has been disclaimed.

Journal of the Clinical Investigation published by the American Society for Clinical Investigations, Inc., vol. 65; Feb. 1980, pp. 432-438—"Mechanisms of Photodynamic Inactivation of Herpes Simplex Viruses"—Lowell E. Schnipper et al.

[21] Appl. No.: 615,437

Journal of Clinical Microbiology, vol. 17, No. 2, Feb. 1983, pp. 374-376, "Photodynamic Inactivation of Pseudorabies Virus with Methylene Blue Dye, Light and Electricity"—Janine A. Badyisk et al.

[22] Filed: Nov. 16, 1990

Related U.S. Application Data

[63] Continuation-in-part of Ser. No. 562,721, Aug. 6, 1990, abandoned.

Primary Examiner—Robert A. Dawson

Assistant Examiner—Sun Uk Kim

Attorney, Agent, or Firm—Charles W. Helzer

[51] Int. Cl.⁵ 301D 35/06; A61K 41/00

[57] ABSTRACT

[52] U.S. Cl. 210/748; 128/419 R; 128/421; 128/783; 128/784; 204/131; 204/164; 204/186; 204/302; 210/243; 422/22; 422/44; 604/4

A new alternating current process and system for treatment of blood and/or other body fluids and/or synthetic fluids from a donor to a recipient or storage receptacle or in a recycling system using novel electrically conductive treatment vessels for treating blood and/or other body fluids and/or synthetic fluids with electric field forces of appropriate electric field strength to provide electric current flow through the blood or other body fluids at a magnitude that is biologically compatible but is sufficient to render the bacteria, virus, parasites and/or fungus ineffective to infect or affect normally healthy cells while maintaining the biological usefulness of the blood or other fluids. For this purpose low voltage alternating current electric potentials are applied to the treatment vessel which are of the order of from about 0.2 to 12 volts and produce current flow densities in the blood or other fluids of from one micro-ampere per square millimeter of electrode area exposed to the fluid being treated to about two milliamperes per square millimeter.

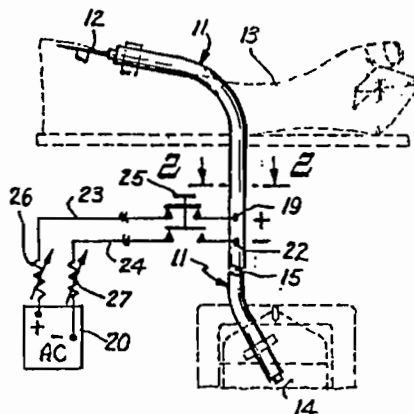
[58] Field of Search 210/243, 748, 764; 128/419 R, 421, 783, 784; 604/4; 422/22, 44; 204/131, 164, 186, 242, 275, 302, 305

[56] References Cited

U.S. PATENT DOCUMENTS

592,735	10/1897	Jones	204/242
672,231	4/1901	Lacomme	204/275
2,490,730	12/1949	Dubilier	204/305
3,692,648	9/1972	Matloff et al.	204/129
3,753,886	8/1973	Myers	204/186
3,878,564	4/1975	Yao et al.	210/648
3,965,008	6/1976	Dawson	422/22
3,994,799	11/1976	Yao et al.	210/321.64
4,473,449	9/1984	Michaels et al.	204/101
4,616,640	10/1986	Kaali et al.	128/130
4,770,167	9/1988	Kaali et al.	128/788
4,932,421	6/1990	Kaali et al.	128/831
5,049,252	9/1991	Murrell	210/243
5,058,065	10/1991	Slovak	128/783
5,133,932	7/1992	Gunn et al.	210/748

31 Claims, 6 Drawing Sheets



ALTERNATING CURRENT SUPPLIED
ELECTRICALLY CONDUCTIVE METHOD AND
SYSTEM FOR TREATMENT OF BLOOD AND/OR
OTHER BODY FLUIDS AND/OR SYNTHETIC
FLUIDS WITH ELECTRIC FORCES

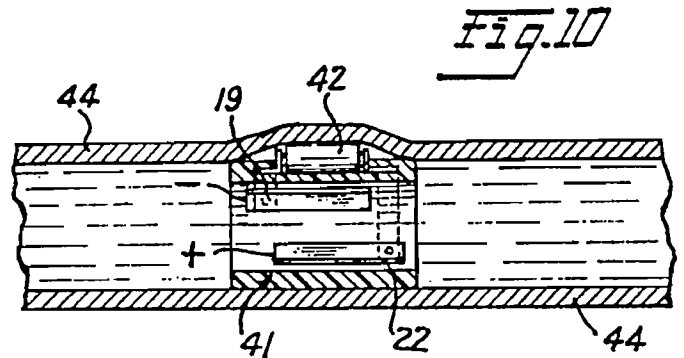
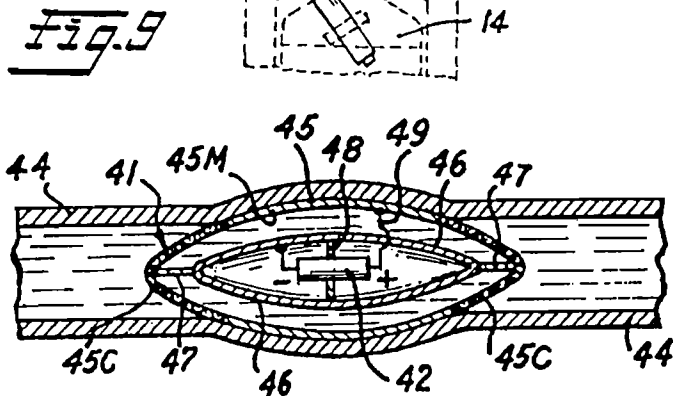
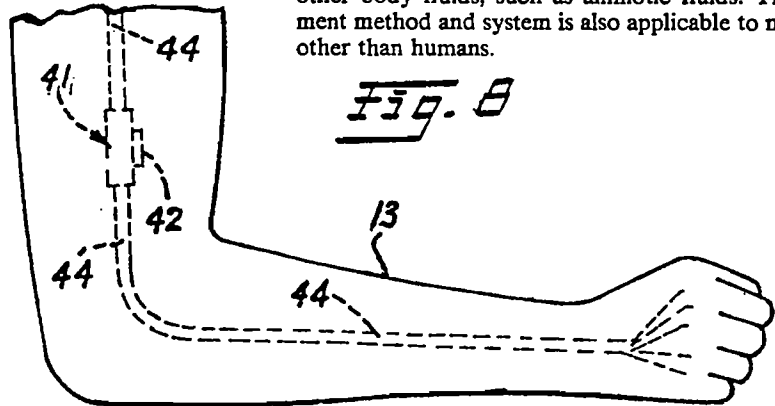
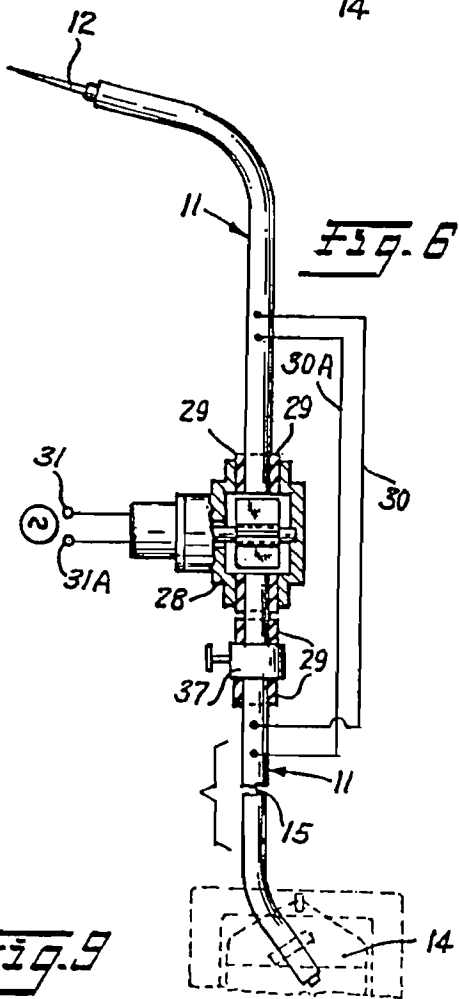
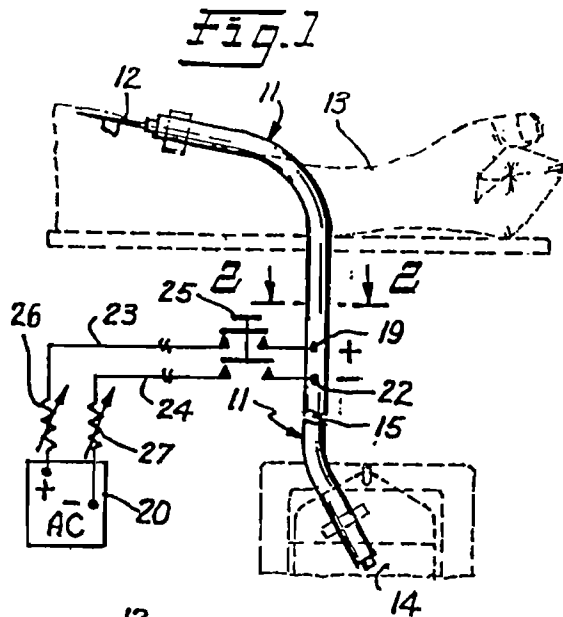
FIELD OF INVENTION

This is a continuation-in-part application of prior U.S. patent application Ser. No. 07/562,721 filed Aug. 6, 1990, now abandoned

This invention relates to novel electrically conductive methods and systems employing electrically conductive vessels provided with electrically conductive surfaces for use in subjecting blood and/or other body fluids and/or synthetic fluids such as tissue culture medium to direct treatment by alternating current electric forces.

BACKGROUND PROBLEM

It is now well known in the medical profession and the general public that blood collected in a blood bank from a large number of donors may be contaminated by contaminants such as bacteria, virus, parasites and/or fungus obtained from even a single donor. While screening of donors has done much to alleviate this problem, the screening of donors can and does miss occasional donors whose blood is unfit for use. When this occurs and the unfit blood is mixed with otherwise usable blood, the entire batch must be discarded for transfusion purposes. Because of this problem, the present invention has been devised to attenuate any bacteria, virus (including the AIDS HIV virus) parasites and/or fungus contained in blood contributed by a donor to the point that any such contaminant is rendered ineffective for infecting a normally healthy human cell, but does not make the blood biologically unfit for use in humans. Similar problems exist with respect to treatment of other body fluids, such as amniotic fluids. The treatment method and system is also applicable to mammals other than humans.



A PROPOSED EXPERIMENTAL/THEORETICAL, NON-INVASIVE, NON-PHARMACEUTICAL, IN VIVO METHOD FOR POSSIBLE NEUTRALIZATION OF HIV VIRUS IN HUMAN SUBJECTS.

Revision March 1999. Copyright © 1991/98 by Robert C. Beck, D.Sc.

In a remarkable and startling discovery at Albert Einstein College of Medicine, NYC in 1990, it was shown that a minute current (50–100 microamperes) can alter outer protein layers of HIV virus in a petri dish so as to prevent its later attachment to receptor sites. (*Science News*, March 30, 1991 pg. 207.) It may also reverse Epstein–Barr (chronic fatigue syndrome), hepatitis, Lupus, cancer and many others. HIV–positive users of this enclosed information may expect a dramatic reduction of symptoms after about 45 days. ***This is reminiscent of a well proven cure for snakebite by application of electric current that instantly neutralizes the venom's toxicity.*** (*Lancet*, July 26, 1986 pg. 229.) And there may be several other diseases as yet undiscovered or untested viruses neutralizable with this discovery; perhaps more surprisingly, even the common cold.

This very simple and valid blood clearing treatment proved of great promise as a positive method for immobilizing known strains of HIV still present and contaminating some European and US blood bank reserve supplies. It was further suggested that infected human HIV carriers *could be cured* by removing their blood, treating it electrically and returning it by methods similar to dialysis or by surgically implanting electrode arrays with miniature batteries sewn inside blood vessels as described in US patent #5,188,738. Dr. S. Kaali, MD, projected that “years of testing will be in order before such an *in vitro* (blood removed for treatment) device can be made ready for widespread use.” (*Longevity*, Dec. 1992, pg. 14.) This paper reveals an alternate do–it–yourself approach for electrifying/purifying blood *with no dialysis, implants, or medical intervention.*

In the writer's opinion both blood and lymph can be cleared *in vivo* (which means blood isn't removed or skin ever penetrated) simply, rapidly and inexpensively with similar but *non-invasive do–it–yourself* techniques described herein. All are fully disclosed in this paper. Also included are proven schematics, parts lists, electrode construction and complete instructions. Electronic and controlled electroporation approaches may easily make vaccines, antibiotics and pharmaceuticals obsolete.

In a public lecture (Oct. 19, 1991) the writer proposed this theoretical do–it–yourself method for eliminating HIV, parasites, fungi, viral and pathogens *in vivo*. Subsequently, his original modalities and protocols have been refined, simplified and made universally affordable. These three simple treatments used in tandem are offered for research purposes to determine the extent to which they nullify known electrosensitive pathogens residing in blood, lymph, and other body tissue and fluids. Following is a summary of several years of testing with this non–iatrogenic, do–it–yourself, simple and inexpensive experimental solution to the ever–escalating “incurables” dilemma. ***There are no known side effects since milliampere currents applied to skin are much lower than those in FDA approved TENS, CES and muscle stimulators which have been in safe daily use for many years.*** Battery replacement costs are about \$10.00 per month per user or about 33¢ per day for a typical 30 day “spontaneous remission.” No pharmaceuticals, shots, or medications appear necessary.

One compact battery–powered blood clearing instrument is basically a miniature relay driven by a timer chip set to ~4 Hertz. Its 0 to 27V user adjustable biphasic output minimizes electrode site irritation. The described system delivers stimulation through normally circulating blood via electrodes placed at selected sites (such as one electrode below ankle bone on inside of foot and another on opposite foot) over the sural, popliteal, posterior tibial, or peroneal arteries where the subjects' blood vessels are accessibly close to the surface (pg. 18) or on wrist or arm. Optimum electrode positions are reliably located by feeling for strongest pulse (pg. 18.) Micro-current treatment is of such low amplitude that it creates no discomfort when used as directed and is demonstrated to have no harmful side effects on healthy blood cells or tissue.

A major obstacle to this simple, proven and obvious solution is disbelief. Treating approximately 120 minutes per day for four or six weeks should in the writer's opinion effectively neutralize well over 95% of HIV plus any other electrosensitive viruses, parasites, bacteria, pathogens or fungi in blood. In

heavy infections, shorter application times will prevent stressing patients with toxins. Simply treat for a greater number of days or also ingest ozonized water. In time, the restored immune system plus silver colloid may handle residual problems. In the special case of diabetically impaired circulation longer treatment times may be indicated. (See expanded instructions pg. 16–17.) Immobilized viruses may be expelled naturally through kidneys and liver. More rapid neutralization is possible but **not** recommended because of potential excessive toxin elimination (Herxheimer’s syndrome.) T-cell counts usually drop initially because of lysing and scavenging by macrophages but should recover and increase after a few months. The PCR has not proven reliable as a measurement for HIV.

Latent/germinating HIV reservoirs in body’s *lymph* or other tissues and glands may theoretically be neutralized with a second and separate device by the strategy of generating a very high intensity (~20 kilogauss) short duration (~10 μ S) magnetic pulse of >~32 Joules by discharging a modified strobe light’s capacitor through an applicator coil held against body locations over lymph nodes, thymus, kidneys, adenoids and other possible internal sites of latent infection (see pg. 39.) By the physics of Eddy current/back e.m.f. “transformer action” (Lenz’ law) the desired criteria of minimum current induced through infected tissue on the order of >100 μ A should be readily attained. Several pulses repeated at each site over several weeks may insure a reliable “overkill” for successful disease neutralization. A magnetic “pulser” is very simple to build. Full instructions are on pg. 37–39.

But subjects must assume responsibility for their own health—a “heresy” in today’s society conditioned to look for answers only to a medical establishment that has no current knowledge remotely promising “cures” for numerous other well known fatal diseases.

These “theoretical solutions” are being disclosed under constitutional freedom of speech guarantees in spite of extensively organized hostile opposition to non-pharmaceutical or *inexpensive* modalities. **Data is offered only as theoretical and no medical**

claims are made or implied. “See your health professional!” Anyone at his discretion and assumed responsibility should be free to build, use (on himself) and network his “research” results. With these data an average intelligent high school student should confidently be able to assemble *both* theoretical blood and tissue clearing modalities in about three hours. Components are widely available. After assembling, the only additional cost is for batteries. If electronically unskilled, “busy” or technically illiterate, call an “Amateur Radio Supply” store (yellow pages) and find a ham radio operator, hobbyist or TV repairman or pay any kid on the block to do it for you. After “spontaneous remissions” some users may wish to interest their doctors. But be advised that *electronic* cures may be vigorously suppressed or ignored because there is presently no credibility nor drug cartel profit in this inexpensive solution. Also the 1910 Rockefeller–Flexner Report attempted to discredit electro-medicine with a conspiracy to inflate pharmaceutical profits.

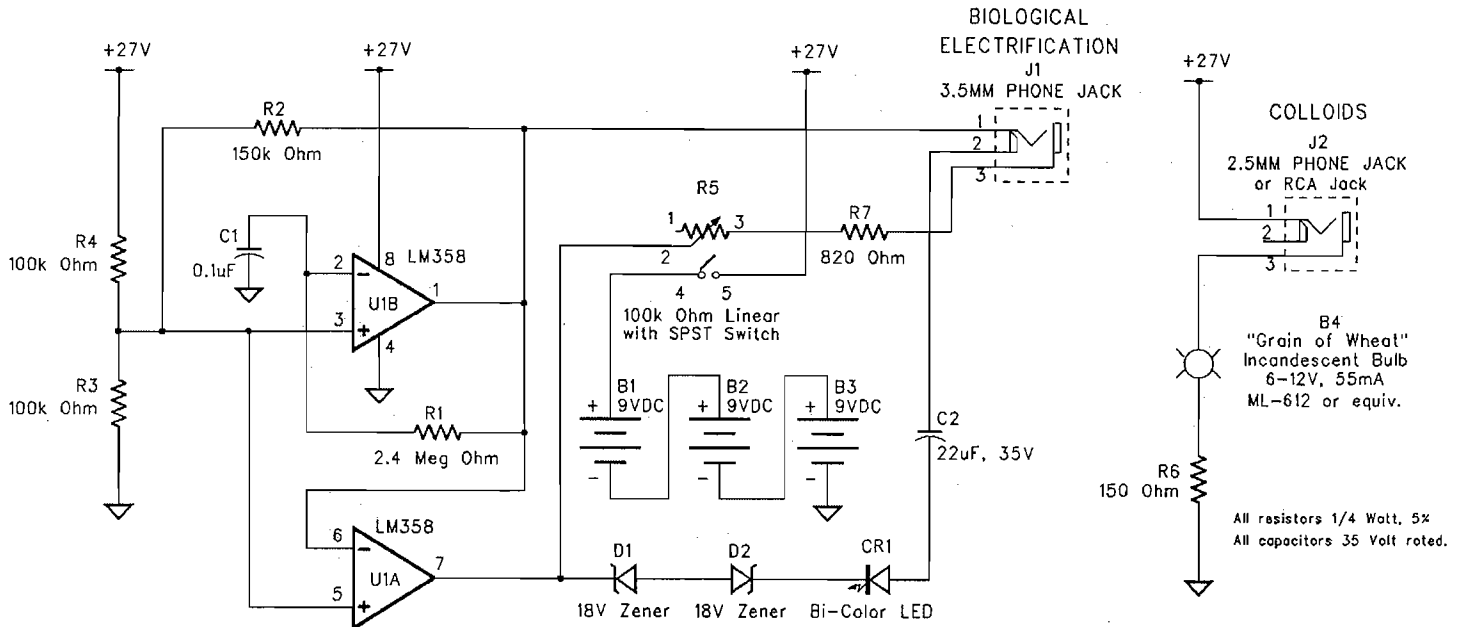
I’m definitely *not* soliciting funds. This was independently developed by me, Bob Beck, at my private expense and offered freely for “theoretical, informational, and educational purposes only” and with absolutely no profit motive.

Non-FDA approved devices are illegal to use within the USA except via little known FDA loopholes. *Researchers* are allowed to use *anything* on patients if safe, they build it themselves and don’t sell them. (Code of Federal Regulations 21 § 807.65 subsections {d} & {f}. See actual text in footnote on pg. 15.) Although we will offer technical updates and always welcome feedback from users, please respect the writer’s privacy and never attempt to contact him for additional help, advice or information. *Everything* users need to know is included herein. **We have nothing for sale.**

NOTE: Sharing Health From the Heart Inc. gathers feedback from individuals and health practitioners on the use of this device. To obtain a free newsletter, call 1–800–224–0242 or 250–814–0046.

IMPROVED SCHEMATIC

This 11/24/1996 page describes a "Plant Growth Stimulator" improved since my 1991 design. User-tested for over two years, it is solid state (no relays), uses three (not seven) batteries, makes colloids, is much smaller, lighter, silent, with battery saving features, and is available as a mostly-assembled kit complete with electrodes and silver for about \$100 from Action Electronics, 1300 E. Edinger Ave., Santa Ana, CA 92705 (714) 547 5169.



OUTPUT: 4 Hz Square Wave, Bi-Phasic
(1/2 Earth's Frequency of 7.83 Hz)

OUTPUT: Colloidal Silver

All resistors 1/4 Watt, 5%
All capacitors 35 Volt rated.

Copyright © 1996 Robert C Beck, D.Sc.

The first section (U1B) of the LM358 dual op-amp is a 50 volt peak-to-peak square wave oscillator. The second section (U1A) reverses polarity and provides ± 27 Volts DC output of low impedance. This delivers a Bi-Phasic, sharp rise-time output of ~ 4 Hz (not critical) for the biological cotton-covered stainless-steel electrodes saturated with salt water before applying. Sharp rise-time is considered necessary to provide higher odd harmonics to the stimulus, although "rounded" waveforms will feel different.

The third section is a current-limited 27 Volts DC output from a separate RCA (or 2.5mm) jack for rapid generation of excellent colloidal silver in water. A three minute cycle in 8 Oz. of room-temperature water makes a ~ 3 ppm concentration.

Op-amp section U1B's 4 Hz oscillator frequency is set by C1 (0.1 uF) and R1 (2.4 meg Ω). It is configured as a comparator with hysteresis determined by R2 (150 k Ω). Charging and discharging of C1 is done by the 180° out-of-phase signal through R1. R3 and R4 provide a set-point 1/2 the V+ to the comparator. This insures a 50% duty cycle square wave with an amplitude of slightly less than the ~ 27 Volt supply.

U1A, the *second comparator*, is used to invert the output of oscillator U1B. A ~ 50 Volt peak-to-peak signal will be generated between the op-amps due to their outputs being 180° out-of-phase. U1A's current is limited by potentiometer R5 (100 k Ω) and R7 (820 Ω) and is set to individual user's comfort.

The *power indicator* circuit consists of a bicolor (red-green) LED (CR1) and the series combination of two 18 Volt Zener diodes, D1 & D2, with power limited by C2 (22 uF, 35 Volt). This section of the device is automatically disabled when the 3.5 mm plug is inserted into its jack. Therefore the LEDs flash only when batteries sum is over ~ 21 Volts. If LEDs are dim or extinguished, replace with three fresh 9 Volt Alkaline batteries. C2 used as a limiter allows the LED to flicker on at 1/8 second intervals only as the square wave output reverses polarity.

Users find this newer design highly satisfactory, trouble free and most efficient.

Map of Blood Vessels in Extremities for Optimum Electrode Access

Gray's Anatomy pgs. 540, 541, 584, 591

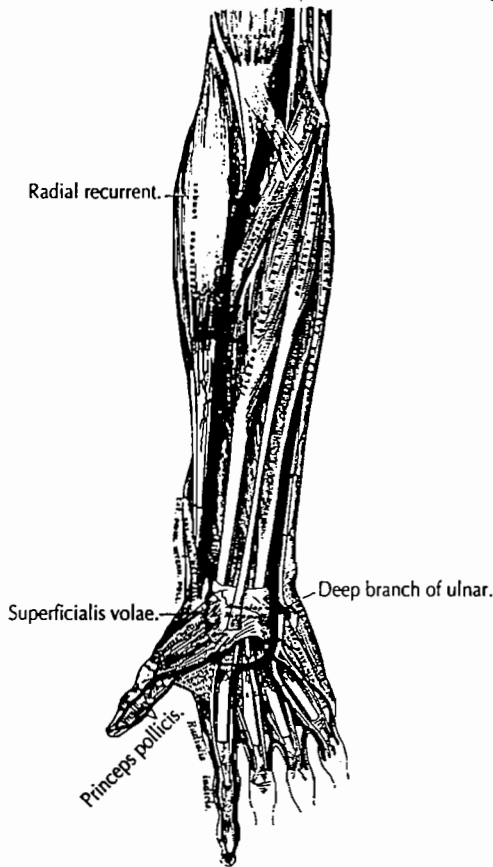


Fig. 304.—The radial and ulnar arteries.

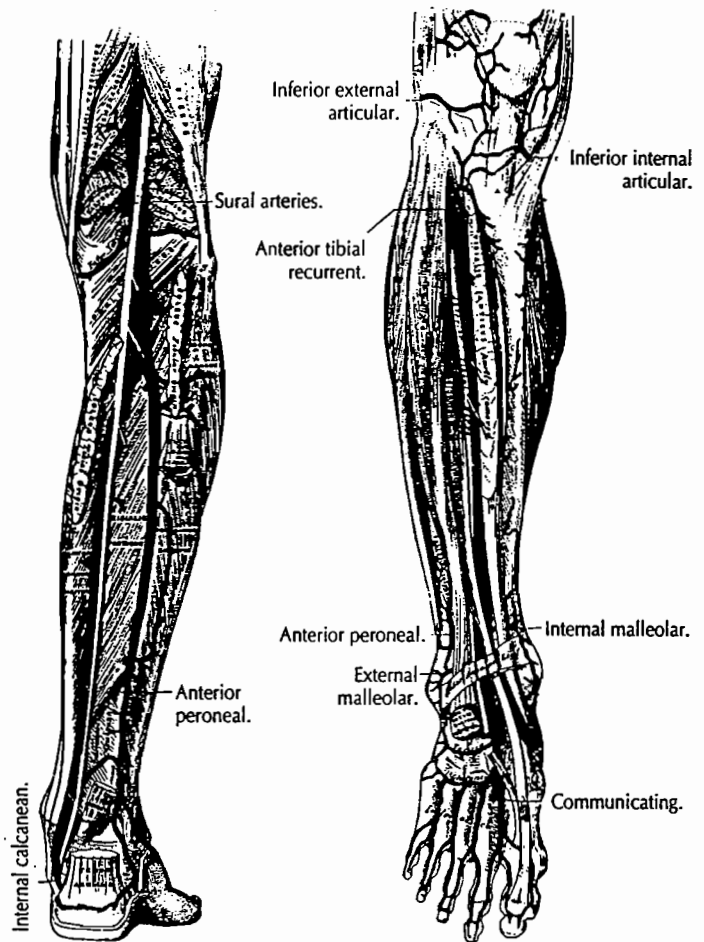


Fig. 320.—The popliteal, posterior tibial, and peroneal arteries.

Fig. 321.—Surgical anatomy of the anterior tibial and dorsalis pedis arteries.

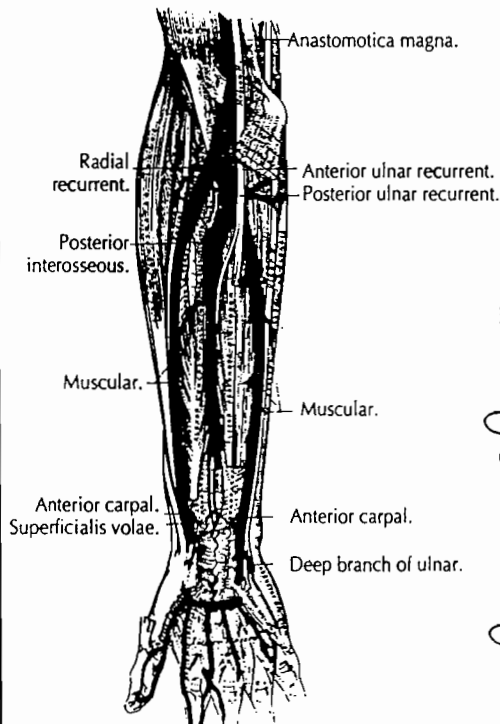
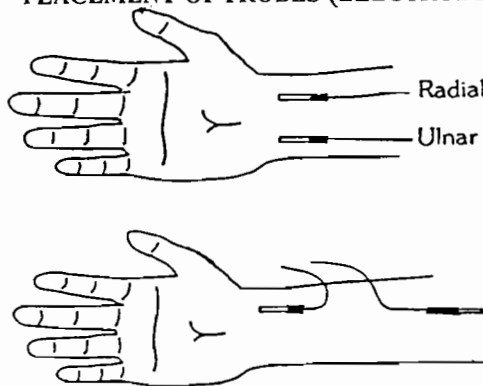


Fig. 305.—Ulnar and radial arteries. Deep view.

PLACEMENT OF PROBES (ELECTRODES): Over *Arteries* not blue veins.



Align Electrodes Parallel to Pulse and Directly Over Pulse Paths

The figure illustrates the hypothetical placement of the two electrodes on the same wrist. It is easier to place the electrodes if you first place the strap around the wrist and then insert the electrodes under the strap.

This figure illustrates the hypothetical placement of the two electrodes on the same forearm and wrist. Position probes about 6" apart on same Radial Artery.

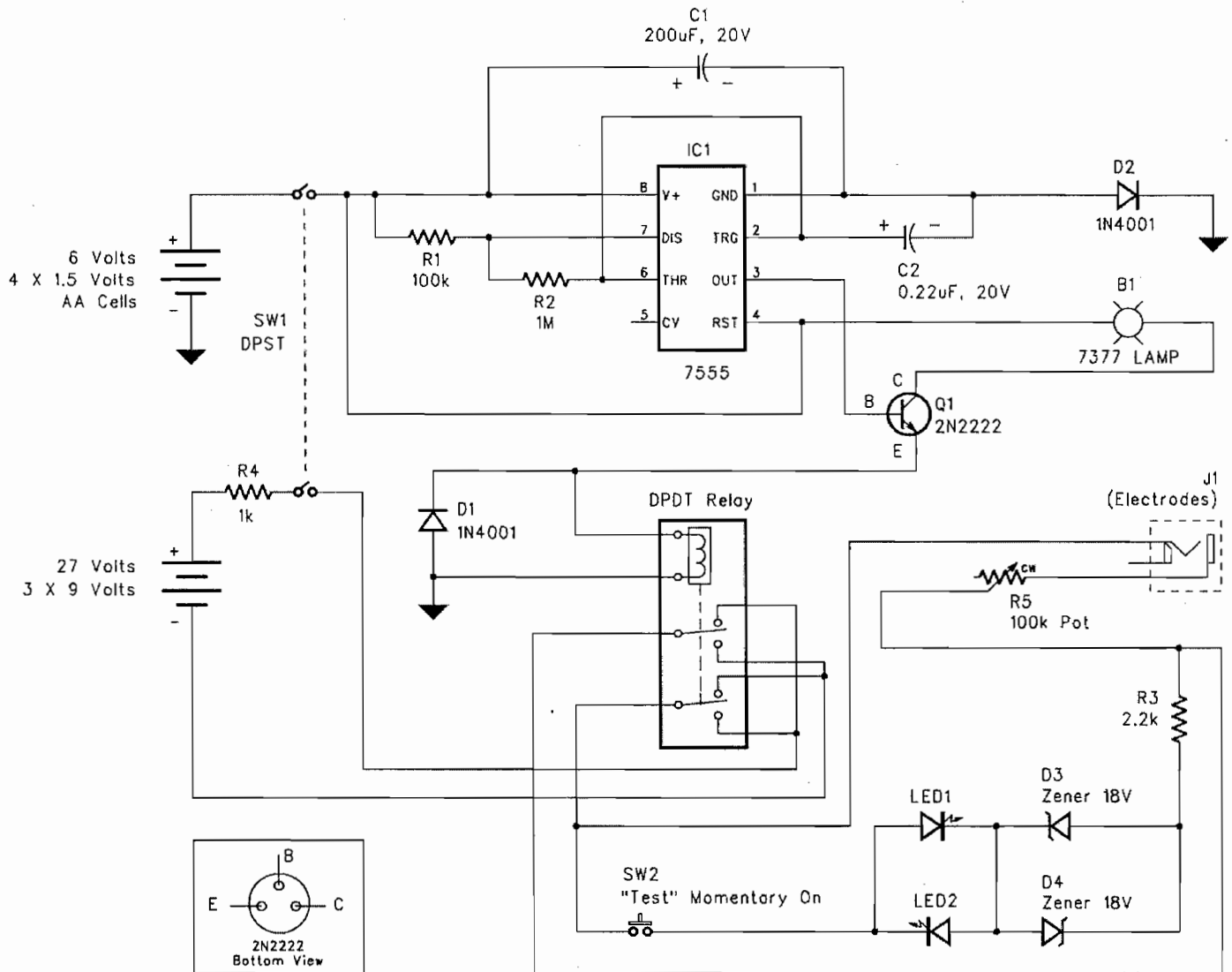
Choose from Two Ways to Align Probes Parallel to Pulse

EXPERIMENTAL IN VIVO BLOOD CLEARING DEVICE FOR ELIMINATING VIRUSES, PATHOGENS, MICROBES, BACTERIA, FUNGI, AND PARASITES.

Revision March 16, 1996. Copyright © 1991/1999 Robert C. Beck

Note: These data are intended for informational, instructional, and research purposes only and are not to be construed as medical advice. Consult your licensed medical practitioner.

CHANGES since previous editions: Pulse Repetition Rate from 0.67 Hz to ~4 Hz (Not critical). C2 from 1uf to 0.22uF. Voltage from 36 Volts to 27 Volts. Treatment time increased to 2 hours daily for 21 to 30 days. Improved electrode design and single wrist placement. SW2 added to extend battery life. There are NO "errors" in this schematic. Hundreds have been constructed successfully when duplicated exactly without user attempted "improvements".



SPECIAL PARTS

B1: Filament type incandescent bulb; 6.3V 0.075A type 7377 (Ballast and current limiter).

Relay: 5V 50Ω coil, PCB mount DPDT; Selecta Switch SR15P207D1.

D3 & D4: Zener Diodes, 18V ½ Watt; NTE 5027A.

R5: 100kΩ ½ Watt linear potentiometer; Caltronics P-68 or equivalent.

LED1 & 2: Combined as Bi-Color Red & Green in same housing; Radio Shack #276-012

SW2: "Test" SPST Momentary ON subminiature Push-Button; Radio Shack #275-1571

PROPOSED THEORETICAL IN-VIVO BLOOD, HIV, PATHOGEN, PARASITE AND FUNGI NEUTRALIZING DEVICE

COMPONENT DESCRIPTIONS, SOURCES, AND CURRENT PRICES

Revision March 13, 1996. Copyright © 1991/1999 Robert C. Beck, D.Sc.

Note: These data are for theoretical, informational and instructional purposes only and are not to be construed as medical advice. Consult with your licensed medical practitioner. Note: Some builders have ego problems with following instructions and like to find “mistakes” or possible “improvements.” Hundreds have been built successfully if duplicated exactly as shown.

Do not expect this device to function optimally if ANY electrical changes or ego improvements are attempted.

7555 CMOS timer chip (generic)		IC1	\$ 1.80	
100 k ohm ¼ watt 5% resistor		R1	0.07	
1 meg Ω ¼ watt 5% resistor		R2	0.07	
2.2 k Ω ¼ watt 5% resistor		R3	0.07	
1 k Ω ¼ watt 5% resistor		R4	0.07	
100 k Ω linear taper pot, ½ watt Caltronics P-68		R5	2.56	
200 µF 20 V (or higher) electrolytic capacitor		C1	0.45	
0.22 µF 20 V (or higher) Tantalum capacitor		C2	0.25	
1N4001 diode	2 required @ 0.15	D1 & D2	0.30	
18 Volt Zener diodes	½ Watt, 2 @ 0.79	D3 & D4	1.58	(NTE5027A)
NPN Transistor	Generic 2N2222	Q1	0.30	
Bulb, 6.3V 0.075 A	Type 7377	B1	1.34	
Relay, 5 V 50Ω coil PCB Mount DPDT Selecta Switch	SR15P207D1		5.45	
Misc. wire, solder, etc.			0.50	
Note: Action Electronics now supplies a custom printed circuit board #PS-PCB for:			15.00	

All 15 components listed above available at ACTION ELECTRONICS

1300 E. Edinger, Santa Ana, CA 92705 (714) 547-5169

Bicolor LED Red/Green Radio Shack #276-012		LED 1	\$ 1.19	
Jack for electrode leads	274-251 3/\$1.59	J1	0.53	
DPDT switch, 275-626 or equiv. (used as DPST)		SW1	2.55	
SPST Subminiature momentary ON push button switch		SW2	0.59	ER-SW101 “Test”
Battery holder, 4-AA cells, Radio Shack	270-383		1.29	
4 Alkaline AA cell batteries, #23-552	4 for		2.89	
3 Alkaline 9 V batteries, type 1604 etc.	3 for		3.75	
3 x 9 V battery snaps (clip-on connectors)	270-325 pkg.	5/\$1.29	1.29	
Box, if used			2.29	
Above items generally available at local Radio Shack stores				
Lead wire with 3.5 mm plug, 6 ft., Mouser or Calrad Electronics			0.35	
Electrodes, stretch elastic, Velcro, cotton flannel, alligator clips, etc.			5.00	
Total Cost for all components for do-it-yourself project			\$49.24	

This design is basically a 7555 IC timer chip set for 50% duty cycle and ~3.9 Hz. driving a sub-miniature relay. Electrode polarity continually reverses ~¼ second positive / ¼ second negative. Frequency is not critical.

Patents applied for.

Footnote:

CODE OF FEDERAL REGULATIONS 21 § 807.65 Subpart D – Exemptions, Paragraphs {d} & {f}

Excludes and exempts from regulation:

“(d) Licensed practitioners, including physicians, dentists, and optometrists, who manufacture or otherwise alter devices solely for use in their practice.”

“(f) Persons who manufacture, prepare, propagate, compound, or process devices solely for use in research, teaching, or analysis, and do not introduce such devices into commercial distribution.”

Use of this device therefore appears legal and exempt from FDA regulations when you construct it yourself for research and/or use in your own practice! But double check your local, county and state regulations for possible exceptions.

EXPANDED INSTRUCTIONS FOR EXPERIMENTAL/THEORETICAL BLOOD ELECTRIFICATION *HYPOTHETICAL PROTOCOLS FOR EXPERIMENTAL SESSIONS*

Revision January 15, 1997. Copyright © 1991/1998 Robert C. Beck, D.Sc.

PRECAUTIONS: Do NOT use wrist-to-wrist with subjects using cardiac pacemakers. Any electrical signals may interfere with “demand” type heart pacers and cause malfunction. Single wrist/forearm locations should be acceptable. Do NOT use on pregnant women, while driving or using hazardous machinery.

Users MUST avoid ingesting anything containing potentially toxic medications, nicotine, alcohol, recreational drugs, laxatives, garlic, etc., and potentially toxic vitamins or herbs for several days before starting because blood electrification can cause electroporation which makes cell membranes pervious to small quantities of normally harmless chemicals in plasma. The effect is the same as extreme overdosing which might be lethal. See Electroporation: a General Phenomenon for Manipulating Cells and Tissues J.C. Weaver, Journal of Cellular Biochemistry 51: 426-435 (1993.) Both the magnetic pulser and blood purifier can cause electroporation. Avoid ingesting alcohol 24 hours before using.

Do NOT place electrodes over skin lesions, abrasions, new scars, cuts, eruptions, or sunburn. Do NOT advance output amplitude to uncomfortable levels. All subjects will vary. Never put bare metal on skin. The magnetic pulser should be safe to use anywhere on body or head.

Drink an 8 oz. glass of filtered or preferably ozonated water 15 minutes before and immediately following each session and drink at least four additional glasses daily for flushing during “neutralization” and for one week thereafter. This is imperative. Ignoring this can cause systemic damage from unflushed toxic wastes. ***When absolutely essential drugs must be ingested, do so a few minutes after electrification then wait 24 hours before next session.***

If subject feels sluggish, faint, dizzy, itchy, headachy, light-headed or giddy, nauseous, bloated or has flu-like symptoms or rashes after exposures, reduce pulsing per session and/or shorten applications of electrification. Drink more water—preferably ozonized—to speed waste oxidation and disposal. Use extreme caution when treating patients with impaired kidney or liver function. Start slowly at first like about 20 minutes per day to reduce detoxification problems.

To avoid shock liability, use only batteries with blood cleaner. Do NOT use any line-connected power supply, etc. with blood electrification device. However a.c. supplies are OK with well-insulated magnetic pulse generators (strobe lights.)

Health professionals: Avoid nicotine addicts, and other unconsciously motivated death-wishers and their covert agendas of “defeat the healer.” Tobacco, the most damaging (4½ times more addictive than heroin) and deadly substance of abuse known, disrupts normal cardiovascular function. True vegetarian diets are missing several essential amino acids absolutely necessary for the successful rebuilding of AIDS-ravaged tissues. Secondary gains and hidden agendas (sympathy/martyrdom, work avoidance, free benefits, financial assistance, etc.) can play large roles with many AIDS patients. “Recovery guilt” as friends are dying has precipitated suicide attempts masked as “accidents.” Avoid such entanglements, since many have unconscious death wishes.

SUPERIOR ELECTRODES: Excellent, convenient and vastly superior electrodes, reusable indefinitely, can be made by butt-soldering connecting wires to ends of 1-1/8” long by 3/32” dia. blanks cut from type 316 stainless steel rods available from welding supply stores (Cameron Welding Supply, 11061 Dale Ave., Stanton, CA 90680.) Use “Stay Clean” flux before soldering (zinc chloride/hydrochloric acid.) Shrink-insulate TWO tight telescoping layers of 3/8” long shrink tubing over soldered joints to prevent flexing/breaking and lead/copper ions from migrating.

PREPARATION FOR USE: Wrap three or four turns of 100% cotton flannel around rods. Spiral-wrap with strong thread starting from wire side to end. Tightly pinch cloth over rod’s end so as to leave no metal exposed by wrapping 6 or 7 turns of thread TIGHTLY just off end of rod, then spiral wrap back to start and tie with four knots then cut off excess cloth at end close to pinch-wraps. Treat end and knots with Fray Check® (fabric & sewing supply stores) to prevent raveling. Saturate before each use in a solution of sea salt (not table salt). Add a few drops of Colloidal Silver for disinfectant. Store for reuse. Tape soaking wet electrodes tightly over arterial pulse sites with paper masking, Transpore™ or Micropore® tape or make 1” wide stretch elastic bands with tabs of Velcro® at ends to fasten. Electrodes should closely conform precisely along blood vessels, not skewing ever so slightly over to adjacent flesh. This insures better electrical conductivity paths to circulating blood and insures very low skin impedance. (~2000Ω) Rinse and blot-dry electrodes and skin after each use. NEVER allow bare metal to touch skin as this will cause burns manifested as small red craters that heal slowly. The objective is to get maximum current into blood vessels, not leak it over to adjacent tissue. Therefore never use any electrode with cotton cover wider than about 1/8 inch.

ELECTRODE PLACEMENTS: Locate blood vessel paths (*NOT* to be confused with acupuncture, Chapman or pressure points) on either wrist (Ulnar to Radial) or else wrist to forearm by feeling for maximum pulses. Scrub skin over chosen sites with mild soap and water. Position each electrode lengthwise precisely along same branch of Radial artery. A 7" long, 1" wide elastic stretch-band with two 1-¼" lengths of ¾" wide Velcro® sewn to ends of opposite sides makes an excellent wrist band for holding electrode snugly in place. Place wet electrodes between ulnar and radial pulse points on opposite sides on inside of *same* wrist. Then with electrode cable unplugged, turn switch ON and advance amplitude control to *maximum*. On original blood electrifier design, push momentary SW 2 "test" switch and see that the red and green light emitting diodes flash alternately. This verifies that polarity is reversing ~4 times per second (frequency in NOT critical) and that batteries are still good. When LED's don't light, replace all three 9V alkaline batteries. When the white incandescent bulb dims or appears yellowish, or relay isn't clicking, replace all four AA cells. Zener diodes will extinguish LED's when the three 9V battery's initial 27V drops below ~20V after extended use. Never use any electrode larger than 1-1/8" long by 1/8" wide to avoid dissipating current through surrounding tissue. Confine exactly over blood vessels. Apply drops of salt water to each electrode's cotton cover as needed to keep cotton covers damp and insure optimum current flow. Later devices are solid-state, use only one battery and no relays, and are much smaller. Electrify blood 2 hours daily for 4 weeks or longer as indicated. (See diagram on next page.)

SETTING VOLTAGE: Now rotate amplitude control to *minimum* (counter-clockwise) and plug in electrode cable. Advance dial slowly until feeling a "thumping" and tingling. Turn as high as tolerable but don't advance amplitude to where it is uncomfortable. Adjust voltage periodically when acclimating to comfort level after several minutes. It is normal to feel different sensations with time. You may notice little or no sensation at full amplitude immediately, but feeling will begin building up to maximum after several minutes at which time amplitude must be decreased. Typical adapted electrode-to-electrode tissue impedance is on the order of 2000Ω. Typical comfortable input (to skin) is ~3mA, and maximum tolerable input (full amplitude) is ~7mA. However, this "reserve" margin although harmless is unnecessary and can be uncomfortable. Current flowing through blood is much lower than this *external* input because of series resistances through skin, tissue and blood vessel walls, but 50 to 100μA through blood is essential.

FREQUENCY OF USE: Apply blood electrifier for about two hours daily for at least 1 month. Use judgment here. The limiting factor is detoxification. Carefully monitor subject's reactions (discomfort, catarrh, skin eruptions, weeping exudites, rashes, boils, carbuncles, coated tongue, etc.) With very heavy infections, go slower so as not to overload body's toxic disposal capability. Drinking ozone-bubbled water oxidizes wastes and speeds detoxification. With circulation-impaired diabetics, etc., you may wish to *extend* session times. Again, have subjects drink lots of water. Recent changes in theoretical protocol being currently tested suggest continuing the protocol for several weeks. One health practitioner with extensive use of both the blood electrification and magnetic pulsing devices reported to Sharing Health From the Heart Inc. to suggest prolonged use to ensure the stronger pathogens have been neutralized. He points out the danger of stopping too soon if only the weaker pathogens have been dealt with. He has suggested building up to using the blood electrification device for 6 days continuously to neutralize the longest lived pathogens. Remember to remoisten electrodes regularly. If you absolutely *must* ingest prescription drugs, do so immediately *after* turning off instrument and allow 24 hours before next treatment to let chemical concentrations in blood plasma decay to lower levels.

Remember, if subjects ever feel sleepy, sluggish, listless, nauseous, faint, bloated or headachy, or have flu-like reactions, they may be neglecting sufficient water intake for adequately flushing toxins. We interpret this as detoxification plus endorphin release due to electrification. Let them rest and stabilize for ~45 minutes before driving if indicated. If this detoxing becomes oppressive, treat every *second* day. Treatments are shown to safely neutralize viruses, fungi, bacteria, parasites and microbes in blood.

See US patents #5,188,738, 5,091,152, 5,139,684, 5,328,451, 3,753,886, 4,524,079, 4,665,898 and others as well as numerous valid medical studies which are presently little known or suppressed.

SILVER COLLOID: Also, ingesting a few oz. of ~5 parts per million silver colloid/silver ion solution daily can give subjects a "second intact immune system" and minimize or eliminate opportunistic infections during recovery phase. This miracle substance is pre-1938 technology, and unlike ozone is considered immune from FDA harassment. Silver colloid can *easily* be made at home electrolytically in minutes and in any desired quantities and parts per million strength for under 1¢ per gallon plus cost of water. It is ridiculous to purchase it for high prices. Unlike silver proteins, metallic colloid has no side effects, and is known to rapidly eliminate or prevent hundreds of diseases. Silver colloids won't produce drug resistant strains as will all other known antibiotics. No reasonable amount can overdose or injure users either topically, by ingestions, or professional medical injection. Refer to page 25 for complete instructions on successfully making your own.

Total Cancer Remissions through Blood Electrification combined with Silver Colloid

Theories Offered for Information and Educational Purposes Only and are the Author's Opinions

Copyright © 1996 Robert C. Beck, D.Sc. re Reissued May, 1998

Opinions expressed in this article are based on the author's first hand experience and do not necessarily reflect those of this publication. [Originally published in *Explore!* Magazine]

My archives contain a tantalizing report from several decades ago describing an authenticated record of an older man who was struck by lightning, survived, and subsequently grew a third set of teeth and a bushy head of youthful new dark hair. His grossly metastasized, inoperable cancers vanished. He threw away his glasses and cane, and appeared much younger and was totally healthy for the first time ever. This fascinated scientists and years later almost encouraged some highly illegal and bizarre human experiments in an abandoned aircraft hangar in Wendover, Utah where Tesla coil research with ball lightning was underway. The incident generated wide speculation, but few insights at the time. This mystery remained sleeping until 1990 when an astounding discovery was reported at Albert Einstein college of Medicine in NYC by Drs. Kaali and Lyman. Not surprisingly, the revolutionary data were apparently immediately suppressed (See *Science News*: Mar. 30, 1991 pg. 207; and *Longevity*: Dec. 1992 pg. 14.)

As a totally unexpected and unpredictable outcome of the writer's self-funded research into "blood electrification" with micro currents for AIDS (currently showing excellent results), a growing number of users previously unknown to me began independently reporting "spontaneous remissions" of numerous *other* diseases **including cancer**. Most involved no doctors, medication, or time off. Recoveries occurred after subjects had self-administered an altered do-it-yourself blood treatment process first described in US Patent #5,188,738 issued to Dr. Steven Kaali in '93. We were puzzled to find explanations. This preliminary report offers a possible theory. Magnetic pulsing success with cancer were independently proven again in 1984 and described in US Patent #4,665,898 plus many other patents dating back to 1890!

The Einstein disclosure describes removing blood from one arm, electrifying it, and returning it to the other arm in a process similar to dialysis. It also describes surgically implanted active electrode chambers containing miniature batteries sewn inside blood vessels. This author's preferred approach leaves all blood in the body, is totally non-invasive, costs practically nothing and is safely accomplished in about a month with ~two hours per day exposures as one goes about his normal activities. It handles pathogens while blood flows normally through the ~60cc volume of the electrified forearm's ulnar branch artery from wrist to elbow. Without medications, invasive techniques or doctors, most pathogens, viruses, microbes, parasites and fungi just tend to disappear. Progress can be readily observed in blood with dark-field and phase-contrast microscopy. The entire process and simple apparatus with parts list is fully described in my '91 paper reprinted in recent issues of *Explore!* (Vol. 7#1) and in this paper. Also simple instructions for self-made silver colloids of far better quality than you can usually buy are given in Vol. 7, #2 of *Explore!* also *Explore More*, Issue #15. *Back issues: Box 1580, Mt. Vernon, WA 98273, phone 360-424-6025.* You can turn any glass of tap water into a 3 ppm ionic electrolytic colloid in about two minutes anywhere with a shirt

pocket instrument by simply running 27V (three 9V transistor radio batteries) between two short lengths of pure silver (never "Sterling") wires submerged in water. To date many "spontaneous remissions" of dozens of "incurable" illnesses including HIV have been reported by users and researchers of this "blood purification" when combined with ingestion of pennies-per-gallon instantly self-made ionic silver colloid plus magnetic pulsation and ozonized drinking water. Since none of dozens of friends using these apparent miracles has experienced infections, colds, flu, pneumonia, or lost a single day's productivity in over three years, evidence strongly suggests restored immune systems or dramatically improved blood functioning. It is also fascinating to note that several pet owners report their cats now refuse to drink water if silver colloid is not added. Trips to veterinarians with previously recurring infections were cut dramatically. It is as though the Creator had left a secret "back door" method for mankind to finally conquer the adversary - incurable diseases plaguing us since the beginning of time. To avoid legalities, these data are being offered under first amendment freedom of speech rights and should not be construed as medical advice.

It has long been known that dissections of cadavers dying of natural causes reveal many have had cancer several times during their lifetime resulting in "spontaneous remissions" generally without their knowledge and without ever visiting a doctor. An optimally functioning immune system somehow automatically "handles" diseases of which the subject seldom becomes aware. Several promising broad-spectrum natural immunological agents like interferon and interleukin are produced by healthy immune systems but would cost thousands for patients with already overloaded or "shut down" defenses although many such neuropeptides could speed cures. Other respected researchers describe "pleomorphic" forms of cancer pathogens which evolve through several stages—even mycotoxin involvement—all of which surrender to blood electrification. In spite of dozens of theories offered, most diseases disappear with these simple, rapid, inexpensive in-vivo do-it-yourself tools and *without* drugs, herbs, homeopathics, pharmaceuticals, diets, doctors, discomfort or *any* medical intervention. Users have nothing to buy except replacement batteries. For persons unable to self-assemble the simple electrifier (about two hours and ~\$50), dozens of people are currently custom building them and several companies are providing excellent and reliable combination "plant growth stimulators" and colloid generators ready to use. Most retail ready-to-use from \$135 to \$200. But this health breakthrough is politically incorrect and may never be FDA approved because of billions invested in treatment facilities, pharmaceuticals, and in clinical diagnostic equipment which must be amortized even if obsolete. This discovery gives power over diseases *back to the individual*—an economic disaster for the health cartels! The only dangers lie in too rapid detoxification avoidable by increasing ozonized water intake for

flushing and oxidizing wastes (Herxheimer's syndrome), plus avoiding potentially toxic substances during blood electrification because of vastly enhanced cell absorption due to electroporation. (See J.C. Weaver: Harvard-MIT in *Journal of Cellular Biochemistry*, 51:426-435; 1993) All drugs, alcohol, tobacco, pharmaceuticals, coffee, and potentially toxic herbs and vitamins *must* therefore be discontinued for at least two days before starting and for the duration of blood electrification or magnetic pulsing. This minimizes substances in your blood plasma which may become toxic at ~20X their normal levels.

Electrification is now being successfully used underground around the world. One Eastern MD claims numerous documented cancer cures by using only blood electrification and *no* surgery, radiation, drugs or chemotherapy. Many were considered terminal. We're even seeing clean blood tests of now healthy patients with previously long-standing "incurable" diseases.

One example—cervical cancer alone kills ~1/3 of all victims in the third world, and has long been known to be caused by the papilloma virus. Electrification has the potential to eliminate these toxic "fellow travelers" coexisting in our blood and may handle innumerable other diseases previously considered "incurable." Ebola or other possibly genetically engineered biological warfare "designer" plagues may be unleashed someday per some theories of Gulf War Syndrome diseases which are currently immune to all other known countermeasures. Blood electrification, colloids and ozone may be effective against these viruses as well.

The most reasonable theory of why electrification is so surprisingly effective for so many conditions lies in the now proven fact that when correctly applied directly into blood (*not* into other body tissue like palms of hands, soles of feet, or organs) the process neutralizes all microbes, pathogens, fungi, parasites, viruses, bacteria, mycotoxins and coexisting foreign life forms and alien invaders and their byproducts. In my opinion, this should never be confused with Royal Rife, Hulda Clark or others' modalities. Effective results are found to require a *minimum* of 27 Volts measurable under load with low impedance output which must deliver up to several *milli*-amperes measurable current into skin to produce the required 50 to 100 *micro*-amperes internally through blood after the inevitable series resistance losses through vessel walls plus several layers of tissue. Electrical currents in blood can be measured with an ac microvolt meter by IR drop using partially insulated hypodermic needles inserted ~6 inches apart into the same artery. Clark's "syncro-zap" running at her standard 30 kHz (considered many octaves too high to be effective) actually measures only ~2.6V peak to peak under load (~2000 ohms) at palms. The syncro-zapper's current is unmeasurable directly in bloodstream and physically *cannot* produce the essential 50 to 100 μ A required internally. This may only mask readouts of parasite presence radionically. Unfortunately the live bugs remain undisturbed and are still there and will still be observed in stool and microscopic blood diagnosis. To function at all, electrification requires cotton-covered salt water saturated stainless steel electrodes never over 3/32" wide and 1" long. Electrodes must be carefully positioned directly over and precisely in line with specific arterial pulse points. This

maximizes current into *blood* by not diffusing it into surrounding tissue. Square or round TENS, EKG, EEG, EMG, etc. electrodes work only marginally and should never be substituted. Preferred instrument pulse-repetition rate is ~3.9 Hz biphasic with steep rise time and 50% duty cycle. Rate is *not* critical although much higher frequencies and certainly higher harmonics of the essential square wave output are degraded by "skin effect" where currents travel around the outside of body instead of internally. This is demonstrated by lighting a bulb in one hand while touching a Tesla coil with the other and not getting shocked.

Careful electrification causes no known harmful side effects to healthy cells or tissue. A restored and unencumbered immune system may make one almost immortal! Blood electrified for several hours a day for three months were observed to live for well over a month when sealed under cover slips on microscope slides while the average life of "normal" drawn blood is under 4 days. This strongly suggests that even aging bodies may easily and rapidly be made impervious to many hostile, toxic, infectious, antibiotic-resistant and even yet undiscovered invaders. The subject is barely scratched with miracles being reported regularly ranging from dramatic weight loss to restored hair, feature symmetry (Prof. R. Thornhill, Univ. Of New Mexico), etc., many of which were unexpected but that I have personally experienced or observed. Dramatic weight loss might be explained by elimination of parasites, some of which can force your appetat to use your body as a fat "feeding lot" for their own survival. When the parasites are eliminated, the fat disappears. I personally lost about 145 lbs. after blood electrification. I had struggled to lose weight for 30 years and spent thousands for pills, shots, diets, and programs which had never worked.

Like all revolutionary ideas, this incredible breakthrough barely survived initial ridicule and rejection because it is too startling, effective, inexpensive, simple and foolproof to be generally believable. Massive resistance came from the population's ~85% harboring unconscious hidden agendas or "death wishes" of "defeat the healer" and who must protect their crutches and secondary gains. And almost universally, people simply refuse to take responsibility for their own health. They think the "Doctor-Priesthood" should know what's "best" for them. So acceptance of blood electrification is just now emerging to enthusiastic acceptance from those who've actually experienced the results. Being profit-motivated, the establishment *must* resist anything like this. But we now have our "hundredth monkey." Skeptics have only to use this technology to directly enjoy immensely better health. **Take back your power!** This works! The writer is a researcher, not a practitioner. **I have nothing for sale.** Please **never** try to contact me by phone or letter or through third parties since it is a felony for me to discuss well intended medical questions. I am a physicist, not a licensed medical practitioner and these devices may never be FDA approved.

NOTE: Sharing Health From the Heart Inc. gathers feedback from individuals and health practitioners on the use of this device. To obtain a free newsletter, call 1-800-224-0242 or 250-814-0046.

Blood Electrification – The Easy In-Vivo Way

Revision May 1998 Informational use only. Not intended as medical advice. Copyright © 1997/99 Robert C. Beck

Several years of experimentation and many reports of successes have resulted in simple, fast, proven ways to implement this most important step in self-healing.

Electrify two hours daily for a minimum of four weeks.

1. Build or purchase a ready-to-use device, or put finishing touches on a nearly-completed kit costing \$89 Action Electronics, 1300 E. Edinger, Santa Ana, CA 92705 (714) 547-5169.
2. Prepare and label a sea-salt-in-water solution for electrode wetting. Use ¼ teaspoon of sea salt in a 2 ounce dropper bottle. Greater salt concentration can cause osmotic skin burns, irritation and rash. Add water and few drops of colloidal silver. Let salt dissolve. Filter through paper towel to clarify this storable conductive interface between cotton covered electrodes and skin. NEVER let bare metal electrode or any small area of metal touch skin directly, or it will burn. Use natural salt only, not table salt containing iodine for goiter and aluminum and silicates to insure easy pouring.
3. For best electrical conductance scrub skin at electrode locations with soap and water to eliminate skin oils, grime, dead skin cells, etc. Rinse and dry. With fingertip rub a drop of salt water into skin at each electrode site.
4. Referring to illustrations, carefully feel for pulses and trace a line about 1 inch long at each wrist site precisely on top and in line (parallel) with located blood paths. Pulses on Ulnar location opposite thumb are harder to feel. Never place electrodes over new lesions, cuts, abrasions, or sunburn. Muscle twitching in palm and fingers is normal and experienced occasionally.
5. Dip into bottle to saturate initially. Position wet electrodes not over ~3/32" wide 1-¼" long to wrist precisely over traced pulse paths. Slide each from forearm side underneath a snug 1" wide stretch elastic band with Velcro® retaining overlapped ends. One electrode positions on radial (thumb) side, the second on other (ulnar) inside of same wrist. Current is confined to blood in lower forearm. Very little electrification is detectable elsewhere thus making it safer for heart-pacer users. The wrist electrode placements are more convenient and faster than any other positions.
6. Put larger units in pocket and run electrode cord down sleeve or strap the smaller electrifier—single battery SOTA instrument—with stretch-band to forearm. Plug in electrodes, turn on and advance slowly to comfortable level. The SOTA unit is small, convenient, unobtrusive, and uses one instead of three 9V batteries. Neither interferes with normal activities. (SOTA Instruments Inc. 1-800-224-0242.)
7. Re-adjust power occasionally to maximum comfortable level. You can now even sleep with it on without fear. When the treatment (about two hours per session daily for a month or more but only after detoxifying) is done, turn it off and put it aside until tomorrow. When red and green LED's flash alternately with electrodes unplugged you know it's working properly. Blood cleansing can be speeded with heat. Example: wrapping forearm with electrodes in heating pad set to high.
8. Keep electrodes wet by re-moistening with drops of salt water occasionally using eye dropper. When finished, rinse wrists. Wash electrodes periodically with soap, water and soft toothbrush to eliminate skin oils and soil. Soaking overnight will dissolve caked salt. Discoloration at ends is normal. When frayed or worn, discard old covers and re-wrap stainless rods with 3 turns of 100% cotton flannel. Wrap tightly with a few turns of thread to end, spiral back to beginning and tie. Electrodes should last for months, but wire leads break and must be replaced eventually.

What's inside the box?

Preferred electrifiers must generate a 3.9 Hz (not critical) biphasic sharp-rise-time square wave, $\pm 27V$ peak adjustable output, 50% duty cycle, capable of delivering several milliamperes into a low resistance load at skin surface ($\pm 2000\Omega$ impedance) which after losses in tissue resistance delivers the necessary 50 to 100 microamperes through flowing blood.

In the laboratory, this suppressed medical discovery proved to neutralize or eliminate all parasites and their mycotoxins, fungi, viruses, microbes, germs, pathogens, bacteria, or any other foreign invaders in blood without drugs. This device is proving effective for many people when applied in-vivo. There are no known side effects to healthy cells, tissue, or fluids. Elimination of blood pathogens can be verified by examining blood under dark field/phase contrast microscopy.

Precautions:

Badly debilitated patients such as full-blown AIDS victims should begin at less than 20 minutes every second day and flush by drinking lots of pure water, preferably ozonized because their systems will go into rapid detoxification causing physical problems called Herxheimer's syndrome.

Users taking ANY medications, potentially toxic herbs or vitamins and garlic should minimize such presence in blood for at least two days before starting and avoid irritants including coffee, tea, alcohol, tobacco, recreational drugs, etc., during the several weeks of recovery. "Electroporation" is shown to increase dosage levels up to 20X of anything drunk, shot, or ingested thus causing problems. This documented by J.C. Weaver, Harvard-MIT *Jr. Cellular Biochemistry*, 51: 426-435; 1993. Patients needing essential medications should take them immediately **after** turning off electrification and wait 24 hours before next blood cleansing. This lets their residues decay to minimum levels in plasma before re-electrifying.

If detoxing becomes disturbing, proceed even more slowly. Symptoms may include fever, giddiness, dizziness, headaches, light-headed, vagueness, nausea, skin rashes, eruptions, itching, boils, coughing, kidney and liver discomfort, aches, general malaise, inflammations, frequent urination, and sluggishness. Use caution when detoxing patients with impaired liver or kidney function. But remember it's far better to force wastes *out* of your system than leaving them stored where they may have been hiding for years.

Treat slowly if initial discomfort occurs. Electrification will profoundly affect your health and provoke your deepest mind-sets such as everyone's unconscious conflicting death wishes. This generally caused noticeable anxiety and depression.

Making Your Own Colloidal Silver

Currently Preferred Silver Colloid Making Apparatus, Means and Method
Published for information and educational purposes only, not medical advice.

Copyright © 1993/1998 Robert C. Beck, D.Sc. Revision 28 February 1997

To easily and rapidly make unlimited quantities of good quality silver colloid concentrate for ~1¢ per gallon (plus water costs) you'll need three 9V type MN 1604 regular alkaline transistor radio batteries, three battery snap-on lead connectors, 2 insulated alligator clips, 1 "grain-of-wheat" 24 volt 40 mA sub miniature incandescent bulb, a foot of 3/32" heat-shrink insulation tubing, 10" pure silver wire, and a foot of 2-conductor stranded insulated wire for clip-leads. This should cost under \$20 maximum for everything and take about 35 minutes to assemble from scratch. This design is idiot proof and simple to use. It makes an odorless, tasteless, colorless, fast and powerful antiseptic and one of the most remarkable healing agents known. The entire colloid making process takes about three minutes per 8 oz batch for ~3 ppm laboratory tested concentration at room temperature when using the salt method.

Use three snap-on connector clips for the batteries. Solder them in series (red to black) to provide 27 volts. Connect a 24V incandescent lamp in series with either (positive or negative) output lead. Solder a red insulated alligator clip to the positive (anode) and a black insulated clip to the negative (cathode) 2-conductor lead wires. Insulation is shrunk over soldered connections using a heat gun or match. Use ONLY pure silver (.999 fine) or better .9999 electrodes. #14 gauge (AWG) is the preferred size. Pure silver is sometimes available at electroplating supply companies, foundries, precious metals dealers, etc. *Do NOT use Sterling silver* (.9275 or other) since Sterling contains copper and nickel. Nickel can be toxic. **WARNING!** Sterling is sometimes passed off for electrodes with commercial colloid makers through ignorance or by entrepreneurs who are trying to cut corners and save money. Discard them as hazardous. Use only triple distilled or de-ionized water for injectable colloid. Single distilled water makes the best transparent colloids but its higher resistance takes up to half an hour to make a 5 ppm concentration. Tap water is only suitable for external applications as it contains chlorine which produces some AgCl. This gives a milky appearance as will any salt (NaCl) which should be avoided.

Bend top ends of silver electrode wires to clip over rim of plastic or glass container. Leave about 4 inches of bare electrodes submergible in the working solution (water.) Spacing between electrodes is not critical. There is no on-off switch, so process starts immediately when alligator clips are both attached to submerged wires, however most commercial colloid makers do have switches which must be on when using. Process stops when either or both clips are disconnected. Yield depends on water conductivity, surface area of electrodes, amount of current, and time. If bulb glows visibly, proceed and let current flow for about three minutes with salt method, then remove clips, stir, and you're done. If bulb doesn't light or you see only a faint reddish glow, proceed longer. You may observe smoke-like plumes of pure white ultra fine grain silver against a dark background as colloid electrolytically sinters off the anode (positive polarity side of battery; red lead) and drifts into solution. Stir thoroughly before using or storing and shake each time before using. Three minutes activation of ~8 oz of properly conductive water at ~72°F gives ~3 ppm (parts per million) strength. Each additional 10°F, will double ppm for a given time. ~3 minutes makes a stock solution which can be safely used full strength for anything.

The preferred method for making ionic/colloidal silver is to heat the water. Bring 2 cups of distilled water to the boil in a non-metal container. Cover the silver wires about 75% and let the unit run for 15 to 20 minutes to produce 3 to 5 ppm. Overdosing with any amount is considered unlikely for metallic Colloid, but silver PROTEINS can be harmful, toxic, and stain skin (Argyria).

The 24V, 40 mA miniature bulb acts as an ideal ballast, current drain indicator, current limiter, and battery condition check for the apparatus. I found aircraft "grain-of-wheat" lamps (Precision Lamp, Inc. part #10238) in surplus for 50¢ each. You can momentarily short-circuit clip-leads together without harm; the bulb will simply light brightly. Also the visual brightness while operating gives an accurate indication of tap water conductivity. With distilled or de-ionized (high resistance) water, you will see no glow.

Make and store colloids only in electrically non-conductive containers such as dark brown glass or plastic such as prune juice bottles or hydrogen peroxide containers, never in metal. Suggested adult dosage of colloid can be

one to several oz. solution straight or added to 6 to 8 oz. of water taken not more than three times in 24 hours. Consult your health professional. An 8 ounce glass may be ingested directly with no harm or side effects according to some sources.

Clean electrode wires after each use to remove dark oxide occurring on anode because the oxygen (produced electrolytically) oxidizes silver. Cut a small piece of ¼" thick nylon Scotchbright™ kitchen scouring pad to polish the silver wires, then wipe with paper napkin to make silver ready for next use. A fresh set of 3 alkaline batteries will make hundreds of 8 oz. batches of three-minute silver colloid before battery replacement becomes necessary. Periodically check batteries by momentarily short-circuiting tips of alligator clips together to observe whiteness and intensity of light. When bulb appears significantly dimmer or looks yellowish after time, replace all three alkaline batteries. Pry snap connectors off, tape 3 new cells together, and replace snap-on clips. Be VERY careful not to crush or damage the fragile little in-series lamp.

Colloid concentration and purity is readily checked by viewing back-scatter of a laser beam as it passes through your finished solution (Tyndall/Rayleigh effect.) Use a 1 to 5 milliwatt *laser diode* pointer (630 to 670 nanometer wavelength) that makes a small spot at several feet, not just a "light emitting diode." Look into the beam at about a 15 degree angle. (Point beam *through solution* so spot hits your chin or lips. *Never look directly at source; this can injure your eyes.*) Laser pointers retail for about \$30 at some computer or parts outlets such as Fry's Electronics. Surprisingly the inexpensive pointer from Radio Shack does *not* perform satisfactorily for this particular application, other Shack models (~\$69) do.

Stir your fresh batch with a plastic (non-conductive) fast-food disposable knife and store in a dark brown container. KEEP AWAY FROM LIGHT as even room light will degrade colloids rapidly by turning solution gray or black just as exposure to light darkens the silver in camera film. Light can also neutralize positive charges on silver ions that help keep particles in suspension. Keep colloids cool but do not refrigerate or let freeze. *ALWAYS SHAKE CONTAINER THOROUGHLY EACH TIME BEFORE USING.*

After evaluating many different instruments and methods, this paper describes what is easily the best performing, least expensive, simplest and most convenient method for producing good quality silver colloids presently disclosed. It has been fully tested and found to work much better than expensive, dangerous and complex devices. However it does not work with metals such as gold, which require much longer times. This stand alone appliance works all by itself, and never requires high voltage, ignition coils, transformers, underwater sparking, or "plugging in." It goes in your pocket and will work anywhere. It is essential for sterilizing local drinking water when traveling. (See accompanying suggested uses.) You can make any desired concentration in parts per million by electrolyzing at higher temperatures. There is no heat or waste, and it cannot shock you. Stir *during* processing and shake before storing and each time before using. Filtering is generally unnecessary. Don't add preservatives, minerals, EDTA, proteins, gelatin, coloring (some makers add yellow dye to make it appear "golden" and even honey to slow precipitation), or any other substances. If purchased at market prices, commercial colloids could cost up to \$60 for 8 oz of generally vastly inferior products. Some available colloids on today's market when evaluated prove to be practically worthless. (At a recent health expo, in my opinion, out of eight brands tested only **two** were found to be adequate in quality, suspension and concentration. Many contained additives such as EDTA, coloring and gelatin for suspension.)

This paper describes an easy way for anyone to make his own for only a small fraction of a penny. It seems ridiculous to buy it for high prices. You can now afford to use colloids universally, such as in laundry water for sterilization, as a disinfectant spray, rinse for fruit and vegetables, fungicide, bactericide, plant spray, pet health assurance, and hundreds of other applications. Drinking dilute silver colloid is claimed to safely kill over 650 pathogens, viruses, microbes, fungi, and parasites within minutes and is said to give you a second intact immune system. Side effects or overdosing are claimed unknown, and resistant strains of disease-causing pathogens never develop. Most users ingest lactobacillus acidophilus, bulgaricus, yogurt, etc. to replenish friendly intestinal flora.

A FEW UNIQUE PLUS TRADITIONAL USES FOR SILVER COLLOID

For information and educational purposes only, not medical advice

Copyright © 1995/1998 Robert C. Beck. Revision 28 February 1997

When you control a source of penny-per-gallon make-it-yourself silver colloid (see attached how to page) you can use it for hundreds of health improvement applications. A few are suggested here. You can use most purified water to make colloid for industrial and external uses but distilled or de-ionized water should be used for internal applications.

Add to suspected drinking water when traveling or camping. Colloid sprayed burns heal rapidly without scarring. Safely sterilize anything from toothbrushes to surgical instruments. Use topically on cuts, wounds, abrasion, rashes, sunburn, razor nicks, bandages. Spray on garbage to prevent decay odors. Mist kitchen sponges, towels, cutting boards to eliminate E. Coli 0157:H7 and salmonella bacteria to prevent food poisoning, gastrointestinal inflammation, and genital tract infections.

Add when canning, preserving, bottling. Use like peroxide on zits and acne. Add to juices. Milk will delay spoiling, fermenting, deteriorating, clabbering or curdling. Spray in shoes, between toes, between legs to stop most skin itch, athlete's foot, fungi, jock itch. Diminish dandruff, psoriasis, skin rashes, etc. Add to bath water, gargle, douches, colon irrigation, nasal spray and dental water-pic solutions. Cuts downtime dramatically with colds, flu, pneumonia, staph, strep, respiratory infections and rhino viruses. Skin itch, eye and ear infections, some moles and warts vanish when colloid is sprayed on body after bathing. Use with Q-tip on fingernail, toenail, and ear fungi. Neutralize tooth decay and bad breath. Colloid stops halitosis by eliminating bacteria deep in throat and on back of tongue. Unlike pharmaceutical antibiotics, silver colloid never permits strain-resistant pathogens to evolve.

Put a few drops on Band-Aids and bandages to shorten healing times. Health professionals might consider IV and IM injections. Tumor and polyp shrinking is reported when masses are injected directly (when colloid is added to sterile physiological saline or Ringer's Solution which contains ~9000 ppm sodium chloride.) Toothaches, mouth sores, bacterial irritations are diminished. Soak dentures. Spray refrigerator, freezer, and food storage bin interiors. Stop mildew and wood rot. Mix in postage stamp, envelope and tape moistening wells, paint and paste pots to prevent bacterial growth, odors, spoiling or souring. Add to water based paints, wallpaper paste, dishwasher, cleaning and mopping solutions, etc. Spray pet bedding and let dry.

Spray on top of contents of opened jam, jelly, and condiment containers and inside lids before replacing. Mix a little in pet water, birdbaths, cut flower vases. Always add to swamp cooler water. Spray air conditioner filters after cleaning. Swab air ducts and vents to prevent breeding sites for germs. Use routinely in laundry final rinse water and always before packing away seasonal clothes. Damp clothes or towels and washcloths will not sour or mildew. Eliminate unwanted microorganisms in planter soils and hydroponics systems. Spray plant foliage to stop fungi, molds, rot and most plant diseases.

Treat pools, fountains, humidifiers, Jacuzzis, hot tubs, baths, dishwashers, recirculating cooling tower water, gymnasium foot dips, and bath and shower mats. Spray watch bands and gloves and under fingernails periodically. Treat shower stalls, tubs, fonts, animal watering troughs, shavers to avoid trading germs. Rinse fruit and vegetables before storing or using. Put in cooking water. Human and animal shampoos become disinfectants. Prevent carpets, drapes, wallpaper from mildewing. Wipe telephone mouthpieces, pipe stems, headphones, hearing aids, eyeglass frames, hairbrushes, combs, loofas. Excellent for diapers and diaper rash.

Do toilet seats, bowls, tile floors, sinks, urinals, doorknobs. Kill persistent odors. Rinse invalid's pillowcases, sheets, towels and bedclothes.

There are literally thousands of other essential uses for this ridiculously inexpensive, odorless, tasteless, colorless, totally benign and easily produced powerful non-toxic disinfectant and healing agent. You'll find that a spray or misting bottle of silver colloid solution may be the most useful health enhancement tool in your environment.

Banishing disease with three 9-Volt Batteries

Part Two: Homemade Colloidal Silver Vindicated
by Mark Metcalf

WE USED TO think, and some still do, that life came from a chemical soup. Now we know that unless there is an electrical charge there is no life. Life, then, is electrical. And when electrical systems go, although the chemistry is still there, the life does not exist.

—Dr. Valerie Hunt, Prof Emeritus,
Dept. of Physiological Sciences, UCLA

In an earlier issue (Nov/Dec 1995] I wrote of a "hospital" that was safer than and in many ways superior to all others in its ability to promote wellness. It was essentially cost-free to operate and portable as a deck of cards: a colloidal silver generator. With it you can make virtually unlimited amounts of the highest quality colloidal silver for the price of water.

Currently, we the people of the United States are spending \$3,700 per person per year to treat our diseases—the highest amount in the world. Ironically, our health problems are getting worse. Absurd as it sounds, the third leading cause of disease and death in the United States is now infectious disease. These deaths are completely preventable.

With the simple act of wiring together three 9-volt batteries, something very profound begins to happen: Ordinary people are able not only to heal themselves, but find themselves endowed with the power to heal others and to protect the health of entire communities. These everyday people's new found power encompasses even the ability to heal animals, plants and trees. They are also able to grow more nutritious food and to store it for longer periods.

Losing their dependent patients, the multibillion-dollar, managed-care-of-"incurable"-diseases industry and the deadly, mutagenic vaccine industry begin to crumble. So does the cold-and-flu industry which buys all those primetime TV ads.

Don't expect these cartels to take their losses lying down. They will do their best to frighten people away from making it themselves, sometimes buying off colloidal-silver manufacturers act as their agents. You can also expect these drug companies to aggressively market their own substitute products, just as they pushed antibiotics in the 1940's when colloidal silver was first suppressed.

One of the most effective flimflam ploys involves trotting out an "expert" who confirms that the product he or she is selling is absolutely essential for your well-being. This spokesperson will stress that his/her studies of the competition revealed that Brand X will very likely harm you. Actually, the expert is used as a shill to usurp your freedom of choice and dictate what you should regard as "health" and health-promoting practices.

Similar ploys have been used by colloidal-silver manufacturers, resulting in confusion and fear among those most interested in using it. We can best avoid manipulation by gaining a deeper understanding about different types of colloidal silver, production methods, issues of safety and usefulness.

First some basics. A colloid consists of minute particles that float within a liquid despite the pull of gravity. To stay in suspension, these particles must be smaller than 1 micron (1/1000 of an inch). When fresh produce is processed through a juicer, a colloid results in the form of a glass of juice. Drinking fresh juices makes it possible to consume far more nutrients than by eating. Because juice is the equivalent of a predigested food, the body can process large amounts with minimal effort and correspondingly better health results.

As a colloid sits, the larger particles begin to fall out of suspension and settle to the bottom of the container. To redistribute the contents, one usually shakes a bottle of juice before drinking.

Similarly, with colloidal silver, particles are pulled off a pure silver wire emersed in water by applying a low-voltage electric current which gives each particle an electric charge. Although this charge is long lasting, it is not permanent. Daylight, magnetic fields and time will cause a silver colloid to lose its charge. This is referred to as "falling out" or "plating out"¹

Note, while colloidal silver is light sensitive, it is not as light sensitive as camera film. Taken to the beach under the midday California summer sun, it will oxidize in about 10 minutes. Indoors, under ambient and artificial light, this would take about three days. However, that only means that colloidal silver should be stored in tinted or opaque containers.

Many colloidal-silver manufacturers claim that if the silver particles are "too large," the resulting brew will be injurious, but the truth can be found in many science textbooks. When current is applied to silver in solution, the particles that break off will always be the same size: 1.26 angstroms (0.0001 microns).² This particle is so small that the next stop on the road to smallness is the atom itself!

Colloids are by nature the smallest particles matter can be divided into while retaining individual characteristics. Reducing a piece of metallic silver to a cloud of microscopic particles greatly extends its total surface area—and its healing properties—while deepening penetration into the body.

Because the silver particles are charged, they strive to combine with other elements. Trace elements exist even in distilled water, and when the charged silver particles combine

with a specific trace element, the solution can turn one of a number of colors, like gray, yellow, green or brown. The element the silver chooses is largely irrelevant: Once in the body, the silver releases its bond in search of stronger attachments in order to stabilize its charge. Therefore, as the silver colloid enters the body, the original silver particles (about the size of 15 atoms) quickly pass through the stomach lining and into the blood stream where they circulate for about a week before elimination.

Yellow Colloidal Silver

Yellow colloidal silver is favored by most manufacturers, not because it is more effective than other types, but because it has a longer shelf life. This stability in solution does not automatically translate into smaller combined-particle size of the silver ion and the trace element. Some trace elements are simply more water soluble than others. Either way, particle size is a moot point: Freshness and density (parts per million, or ppm), not color, determine effectiveness.³

A disadvantage of the yellow colloidal silver is its bitter taste—unlike the silver-colored one. Also, the yellow solution is more difficult to make. When using a 27-volt generator, it is helpful to reduce the water volume to shorten the much longer activation time the yellow solution requires. I could find no medical evidence that a yellow colloid is more effective than a silver one. Of course, you can create both for yourself and compare their effects.

To make the yellow solution, use a tall, narrow glass with 6 to 8 ounces of distilled water. Use no saline solution. The water will not gain conductivity as it does when a saline solution is added, so the process will take about 45 minutes. It will produce a concentration of approximately 10 ppm. Keep an eye on the color of your solution, or it will eventually turn murky brown and then black. If this happens, just throw it out and start over.

How to Make High-concentration Solutions

High-concentration solutions cannot be made by simply extending the process time.

As more silver ions travel through the water, the conductivity increases which begins to alter the process. The result is a time limit of about 15 minutes when using distilled water plus saline solution at room temperature.

To create high concentrations of silver, simply heat the water. For every 10 degrees that the water rises above room temperature (72 degrees), the ppm figure doubles: If 5 ppm resulted after seven minutes of activation with 16 ounces of water at 72 degrees, 82 degrees would yield 10 ppm, 92 degrees would deliver 20 ppm, etc.

You should not boil the water, but you will find plenty of leeway between 72 and 212 degrees (boiling). Also, do not use a teapot because of its calcified residue. A cleaner pot, like a stainless steel, ceramic or glass one used for cooking, will work fine.⁴ Then pour the warm/hot water into a glass.

Zero Toxicity

The body's ability to process the tiny atoms of colloidal silver makes silver build-up in the body impossible. The Environmental Protection Agency's Poison Control Center reports a "No Toxicity" listing for colloidal silver. In fact, it appears that harmlessness is one of the attributes of the

colloidal state, regardless of content. For example, examining a bottle of colloidal minerals from a local health food store, I noticed arsenic, nickel and lead among the 65 trace minerals on the ingredients list: If the particles are small enough, you can even drink arsenic!⁵

Since the body has a vital need for silver—to maintain the immune system and to produce new, healthy cells—and since our blood is also a colloid, the harmonious way in which colloids enter the body may well make colloidal silver the safest medicine on earth.

Just to prove a point to myself, I made a 16-ounce solution of well over 250 ppm and drank it. I repeated this procedure four days in a row, daily ingesting at least the equivalent of 50 16-ounce glasses of a 5-ppm solution! I did not eat yogurt or acidophilus or compensate for friendly bacteria loss in any way. The only side effect was that I seemed to feel better!

According to pharmacist Ron Barnes, R.Ph. (Capitol Drugs, Los Angeles), this makes sense because:

Many strains of pathogenic microbes—viruses, fungi, bacteria or any other single-celled pathogen—resistant to other antibiotics are killed on contact by colloidal silver and are unable to mutate. However, it does not harm tissue-cell enzymes or friendly bacteria.⁶

A Rejuvenating Elixir

My next experiment was a little different. I cut two flowers in the back yard and left one on a shelf without water for 24 hours. When I picked it up the next day it was completely limp. I made a fresh cut at the bottom of the stem and placed it in a glass of high-concentrate colloidal silver. Each day it got better. By the third day, the stem had become firm again, as if it had just been cut. Not a single petal was lost.

I had placed the second flower into ordinary water immediately. By the third day, many of its petals had fallen; though it had been in water from the start it was already dying.

It seems that something in silver is tied to the very core of the life process itself. Dr. Robert O. Becker, MD, agrees. Writing about his experience with older patients, the noted biomedical researcher from Syracuse University and author of *The Body Electric* and *Cross Currents* said:

Silver did more than kill disease-causing organisms. It promoted major growth of bone and accelerated the healing of injured tissues by over 50 percent.

He also discovered that silver "profoundly stimulates healing in skin and other soft tissues in a way unlike any known natural process. . ." and that it promotes a new kind of cell growth which looks like the cells of children!

These cells grew fast, producing a diverse and surprising assortment of primitive cell forms able to multiply at a great rate, then differentiate into the specific cells of an organ or tissue that had been injured, even in patients over 50 years old.⁷

A Broad-spectrum Remedy

The healing properties of silver are so wide ranging that we see researchers expressing amazement time and time again. Alfred Searle, founder of the pharmaceutical conglomerate, wrote in 1919:

Applying colloidal silver to human subjects has been done in a large number of cases with astonishingly successful results. For internal administration, orally or hypodermically, it has the

Silver "profoundly stimulates healing ... in a way unlike any known natural process ...

*advantage of being rapidly fatal to parasites without toxic action on its host. It is quite stable. It protects rabbits from ten times the lethal dose of tetanus or diphtheria toxin.*⁸

I received a call from a man with a Ph.D. in computer science who had read my original article, made some colloidal silver and applied it with a dropper to a chronic eye infection. He said the infection went away almost immediately. In passing he mentioned that the solution also got rid of the plaque on his teeth. I had been wondering what happened to the plaque on my own teeth but had not put the two together.

The power of silver still reigns worldwide in many modern-day applications: Physicians use silver compounds in 70 percent of all the burn centers in the United States, while British Airways, Swissair, Scandinavian Airlines, Lufthansa, Olympic, Air France, Canadian Pacific Airlines, Alitalia, KLM, Japan Airlines and Pan Am all rely on silver-process water filters to curtail waterborne diseases. NASA uses a silver water-purification system on the space shuttle as do the Soviets. Japanese firms even remove cyanide and nitric oxide from the air with silver.

So, how do you frighten people away from the safest medicine on earth? You tell them that the bogeyman will get them. If they're too sophisticated for that, tell them they will get a strange, archaic disease like argyria. Actually, there is no record of anyone ever contracting argyria from colloidal silver made by the electrolytic method.⁹

(Argyria is a harmless and infrequent cosmetic condition in which some body parts take on a slight bluish cast due to the presence of chemical compounds of which silver is only a component. It did not seem to bother the royal, "blue-blood" families of Europe, who stayed healthy through the plagues of the Middle Ages by ingesting large amounts of silver.)

Surviving With Colloidal Silver

Were I to end up in the midst of a calamity, I would need only water to have one of the most powerful medical resources in the world at my disposal. (Technically, colloidal silver can be made in a variety of common liquids, including beer and soup, but I'm not recommending anyone do this in the normal course of events.)

In a remarkable clinical trial with 14 elderly patients, Dr. Becker inserted a pair of silver electrode wires directly into each wound, using the body's own juices as the liquid solution and applying current to the external ends. (The voltage one uses is so low it produces no sensation.) With this technique, he was able to heal infections inside broken bones—one of the hardest types to control—and to mend previously unhealing fractures and breaks.

In some cases he left the silver surgically implanted in the body. In others, he sewed the wound up around the protruding electrode. Once the wound had healed, "The implanted silver wire was easily withdrawn from the wound manually without the need for surgery or anesthesia."

Regarding the ability of metallic silver to control infection, he said, "All of the organisms that we tested were sensitive to the electrically generated silver ion, including some that were resistant to all known antibiotics." Concerning the safety of inserting it into the body, he added: "In no case were any undesirable side effects of the silver treatment apparent."¹⁰

Under emergency conditions it would be good to remember that U.S. silver coins from 1964 and earlier contain 90 percent silver, nine percent copper and one percent zinc, all of which

are known to have beneficial properties if used in a colloidal state. Just scour the coins until they are clean and shiny. (I mention this purely as an intellectual consideration and not to recommend that anyone undertake such an action under normal conditions. Silver wire is much easier to use.)

What Doesn't Colloidal Silver Do?

It does not interact with any other medications or upset the stomach; in fact, it is a digestive aid. It does not sting the eyes. Medical-journal reports and documented studies spanning the past hundred years indicate no known side effects whatsoever from oral or intravenous administration of colloidal silver in animal or human testing. It has been used with good results under the most demanding health care circumstances.¹¹

Without overstating the case, it may be time to recognize colloidal silver as not only the safest medicine on Earth, but also the most powerful!

Notes:

1. "Plating out" occurs when the metallic particles of a colloid fall out of suspension by either attaching themselves to the sides of the container or simply settling to the bottom. This creates two problems: First, when the solution is ingested, less silver enters the body because some remains attached to the container. Second, silver particles entering the body with no electrical charge will have more difficulty penetrating the stomach wall and attaching themselves to the cells of the body. Many plastic containers store electrical charge which can cause plating out so nonreactive plastic containers, such as hydrogen peroxide bottles or tinted glass bottles, should be used instead.
2. CRC Handbook of Chemistry and Physics, 56th edition, 1975-76, page F209.
3. "Use of Colloids in Health and Disease " Dr. Henry Crooks found that silver in the colloidal state is highly germicidal, quite harmless to humans and absolutely nontoxic. In its colloidal state, silver may be applied in a much more concentrated form with correspondingly better results than in a chemical compound.
4. Never use aluminum cookware for this or any other purpose, however. The particles given off during cooking are highly poisonous, and such cookware should be banned from your kitchen.
5. Ameriflax (brand) "minerALL 72" colloidal minerals product contains seven major and 65 trace minerals including arsenic, nickel, lead and iodine.
6. Creative Health, Capitol Drugs Vol. 4, No. 1, Winter '95-'96, p. 1.
7. Becker, "Treatment of Orthopedic Infections with Electrically Generated Silver Ions," The Journal of Bone and Joint Surgery, American Volume, October 1978, Vol. 60-A, No. 7.
8. "Colloidal Preparations of Silver in Pharmacy," British Medical Journal.
9. After extensive studies, Sir Malcolm Morris concluded, "Colloidal silver is free from the drawbacks of other preparations of silver, viz. the pain caused and the discoloration of the skin; indeed, instead of producing irritation it has a distinctly soothing effect."
10. Becker. op. cit. "To qualify for this study, patients had to have a long-standing infection involving bone and to have had standard treatment with antibiotics and wound care without success."
11. "Silver aids the developing fetus in growth, health, and eases the delivery and recovery" (from "Report Colloidal Silver," Health Consciousness, Vol. 15, No.4).

###

Colloidal Silver— Uses Before 1938

The following is a list⁹ of some of the (pre-1938) documented uses of silver, particularly in the colloidal form, for the treatment of various conditions and pathogens:

Acne	Arthritis
Athlete's Foot	Bladder
Burns	Inflammation
Blepharitis	B. Tuberculosis
Cystitis	Colitis
Dermatitis	Diphtheria
Dysentery	Diabetes
Eustachian tubes	Ear "Affections"
Fibrositis	Eczema
Gonorrheal Herpes	Furunculosis
Impetigo	Gonorrhoea
Intestinal trouble	Influenza
I.eprosy	Keratitis
Lymphagitis	Lupus
Menier's Symptoms	Malaria
Neurasthenia	Meningitis
Canine Parvo Virus	Ophthalmology
Pleurisy	Pneumonia
Pruritis Ani	Prostate
Rheumatism	Quinsie
Rhinitis	Ringworm
Seborrhea	Scarletina
Sepsis	Septic Ulcers
Skin Cancer	Septicemia
Soft Sores	Shingles
Staph Infections	Spruce
Subdies Inflammation	Strep Infections
Tonsillitis	Tuberculosis
Typhoid	Toxemia
Ulcers	Trench foot
Whooping Cough	Warts
	Yeast Infections



COLLOIDAL SILVER

The Ultimate Antibiotic

"NATURE'S ANTIBIOTIC"

The Food and Drug Administration has stated that because Colloidal Silver is (by 50 years) a pre-1938 drug, it may be marketed (as per a September 13, 1991 letter received from Consumer Safety Officer, Harold Davies, U.S. Food and Drug Administration). Moreover the FDA has no jurisdiction regarding a pure mineral element.

Prior to 1938 colloidal silver was administered in just about every way that modern drugs are administered. It was injected both intravenously and intramuscularly, used as a gargle for throat conditions, as a douche, taken orally and applied topically even for sensitive tissues, and dropped in the eyes.

Jim Powell reported in a *Science Digest* article, March 1978 titled. "Our Mightiest Germ Fighter,"

"Thanks to eye-opening research, silver is emerging as a wonder of modern medicine. An antibiotic kills perhaps a half-dozen different kinds of disease organisms, but silver kills some 650. Resistant strains fail to develop. Moreover, silver is virtually non-toxic. Pioneering silver researcher, Dr. Harry Margraf of St. Louis concluded: Silver is the best all around germ-fighter we have."

⁹ H. E. L.P. ful news. Vol. 9 No. 12, pp. 1-3.

COLLOIDAL SILVER

The Universal Antibiotic

The strongest, safest broad spectrum antibiotic known to man

Prior to 1938 colloidal silver was considered to be one of the mainstays of antibiotic treatment. It is still considered to be the most universal antibiotic substance that is non-toxic in its micro-concentrations of 3-5 ppm. It has been proven to be useful against over 650 different infectious conditions, as compared to traditional antibiotics, which are effective against 6-7 conditions.¹

The comeback of silver in medicine began in the 1970's. The late Dr. Carl Moyer, chairman of Washington University's Department of Surgery, received a grant to develop better treatments for burn victims. Dr. Margraf, as the chief biochemist, worked with Dr. Moyer and other surgeons to find an antiseptic strong enough, yet safe enough to use over large areas of the body. As a result of their efforts, and that of other researchers, hundreds of important new medical uses for silver were found.² Colloidal Silver is the only form of silver that can be used safely as a supplement. It is absorbed into the tissues at a slow enough rate that is not irritating to the tissues, unlike silver nitrate, which reacts violently with body tissues because of its

caustic action.³ "The colloidal particles diffuse gradually throughout the blood and give prolonged therapeutic action."⁴

Many forms of bacteria, fungus, and virus utilize a specific enzyme for their metabolism. Silver acts as a catalyst, effectively disabling the enzyme. It is toxic to all species tested of fungi, bacteria, protozoa, parasites, and many viruses.⁵ To primitive life forms, silver is as toxic as the most powerful chemical disinfectants.

There is no known disease-causing organism that can live in the presence of even minute traces of the chemical element of simple metallic silver. Based on laboratory tests, destructive bacteria, virus, and fungus organisms are killed within minutes of contact. Larry C. Ford, M.D. of the Department of Obstetrics and Gynecology, UCLA School of Medicine, Center For The Health Sciences reported in a letter dated November 1, 1988 that the silver solutions were antibacterial and fungicidal for *Candida Albicans* and *Candida Globata*.

E.M. Crooks has stated that Colloidal Silver kills pathogenic organisms in three or four minutes upon contact. In fact there is no microbe known that is not killed by colloidal silver in six minutes or less ... and there are no side effects whatsoever from the highest concentration.⁶

Colloidal Silver is effective against infections, colds, influenza, and fermentation. Parasites are also killed while in their egg stage.

³Hartman, R.J. *Colloidal Chemistry*. Houghton Mifflin Co., Boston, 1939, p. 359

⁴Hartman, op.cit.

⁵South, James, op.cit.

⁶Crooks, E.M. *Metals and enzyme activity*, Cambridge at The University Press: MA, 1958, p 15-18.

It is tasteless, odorless, and non-toxic. It is effective with meals as a digestive aid—no fermentation of food in the intestine. A.B. Searle has pointed out that one important advantage of using colloidal silver is that it has no recorded side effects. It also does not stain the skin, unlike certain pharmaceutical preparations of silver that do stain the skin quite strongly.⁷

Dr. Leonard Keene Hirschberg A.M.M.D. (Johns Hopkins) concluded (hat from a therapeutic point of view only the electric colloid metal present the necessary homogeneity, minuteness of granules, purity, and stability for maximum health benefits. One critical indicator of the quality of colloidal silver is its color. As the size of the silver particle gets larger, the color of the suspension ranges from yellow to brown to red to gray to black.

Colloidal Silver has been well documented to be the best broad-spectrum antibiotic available. The reason it has not been more widely used is because of the high cost of production. Retail price has ranged from \$100 to \$200 an ounce. With the advancements in the manufacturing process in recent years, the average person can afford to take advantage of this wonderful product. Colloidal Silver is now an economical and effective source of silver for maintaining a good health and preventing many illnesses.

⁷ Searle, A.B. *The Use of Colloids in Health and Disease*, E.P. Dutton & Company: New York, 1919, p.75

there were numerous reports of Egyptian use of mustard and other poison gases and suggestions of various bacteriological attacks as well.²⁹

The Egyptians' rudimentary program was nothing compared to the sophisticated formulas developed by the various Western nations. Still, Nasser had more than enough tools to do horrible damage to the Jews, and it was only a matter of time before one of the Western nations shared its more advanced Nazi weapons expertise with the Arabs. As Jonathan Pollard later discovered to his horror, that is exactly what occurred in the 1970s and 1980s. The German nerve gas factories recently constructed in Libya and Iraq are using the identical formulas perfected on Jews at Auschwitz.³⁰

Many people have criticized the nation of Israel for commencing a nuclear bomb program. As already discussed, President Kennedy begged the Jews not to introduce atomic weapons to the Middle East and offered them \$600 million to build a nuclear-powered freshwater desalination plant instead. Tel Aviv refused the offer and plowed 10 percent of its national budget into the Dimona facility, a move that some people believed irrational.

Many of the former intelligence officers we interviewed on this subject say that the Jews had no other choice. During the 1950s the proliferation of Nazi technology in chemical and biological warfare had spread like wildfire around the world. Nasser already had his Nazi scientists on the job, and soon the Arabs would perfect these weapons of mass destruction for use against the Jews. A few suitcases full of Rycin could effectively poison the entire national water system of Israel. A truckload of canisters filled with Soman nerve gas released downwind could wipe out the population of Tel Aviv in an afternoon. A barrier of anthrax spores in the soil would isolate Beersheba for decades.³¹

The Israelis were not paranoid. The threat of another "final solution" was, in fact, increasing every year. As American intelligence reports now confirm, the Soviet Union had taken the Nazi human experiments and developed new forms of toxic warfare. By the mid-1950s the Soviets had produced enough Nazi nerve gas to poison the population of the world several times over. Huge stockpiles of anthrax, plague, and "designer bacteria" were in place in each Soviet city. In the event of war, barriers of poison ground would isolate Soviet cities from invaders. More frightening, the Soviets had developed new offensive systems of germ warfare for genocide.³²

"There is little defense against this kind of attack, and what few antidotes exist are withheld from the public as military secrets. One of the best examples of this is Movidyn, a substance that the Soviets discovered in their satellite state of Czechoslovakia way back in the 1950s. Movidyn

is a form of colloidal silver, odorless, tasteless, and cheaper to produce than chlorine disinfectants. One part per billion of powdered Movidyn in water has a germicidal effect. In a study of infected wells, it completely destroyed typhus, malaria, cholera, and amoebic dysentery. Drinking containers washed in Movidyn retained their germ-fighting abilities for several weeks.³³

Movidyn seems to be a cost-effective prophylactic for most of the waterborne diseases that infect the Third World. To the astonishment of the Soviet military, Movidyn also disinfected every germ warfare bacteria in the Soviet arsenal, even their newest designer poisons. In other words, Movidyn was *too* good. The Czech factory was disassembled and carted back to the Soviet Union. To this day, the Movidyn formula seems to have been suppressed from the world, but then so have reports of germ warfare experiments that went wrong. Every country, including the United States, has a few skeletons in its closet when it comes to research on weapons of genocide.³⁴

The fact that the Soviets went to such lengths to develop antidotes to chemical and biological warfare techniques is testimony to the devastating effects they can have on the defenses of any nation, let alone the tiny nation of Israel. It also would be naive to think that such weapons are too frightening to use in war. The Japanese army successfully used germ warfare, including plague, against the population of China during World War II. Recently declassified Japanese files indicate that they intended to conquer Australia with rats infected with bubonic plague, cholera, anthrax, typhoid, and hemorrhagic fever.³⁵ The U.S. Air Force dropped potato bugs on Nazi Germany to destroy crops. Saddam Hussein used both nerve gas and germ warfare against the Iraqi Kurds. There are too many precedents to ignore.³⁶

The Israelis always have known that, sooner or later, someone would think about targeting them. The genie of germ warfare had been let out of the bottle by the Nazi laboratory at Auschwitz. During the 1950s and early 1960s they watched nation after nation perfect the technology. Even if the Jews went public, the Western governments would deny that they were using Nazi scientists to research illegal weapons of genocide. Probably all that would happen from such a pronouncement would be that Western nations would simply do a better job of concealing their toxic warfare programs. No one in the West would give up the Nazi scientists, not as long as the Communists were using them too.³⁷

The Soviets were relying on germ and gas warfare as their primary defense, for their atomic program lagged several years behind that of the West. By 1948, the Soviets had the bomb, but no guidance system for missiles to transport it. The military depended on radio beacons inside

Magnetic Pulse Generator

SUGGESTIONS FOR ACQUIRING AND USING AN INDUCTIVELY COUPLED MAGNETIC PULSE GENERATOR FOR THEORETICAL LYMPH AND TISSUE HIV NEUTRALIZATION

Revision January 15, 1997. Copyright © 1991/1999 Robert C. Beck, D.Sc.

Note: These data are for informational and instructional purposes only and are not to be construed as medical advice. Consult with your licensed health practitioner.

In keeping with do-it-yourself inexpensive hypothetical approaches to self-help, the simplest and most rapid means for obtaining a capacitor-discharge theoretical magnetic pulse **lymph and tissue pathogen neutralizer** would be to find and modify a used functioning portable battery *and* ac powered electronic flash (strobe light) for cameras. These are acquired at swap meets, yard sales, pawn shops, or in junk boxes at used camera stores. Or purchase a new Vivitar (brand) model 1900 (\$22) carried at some professional camera stores. This compact, light weight, inexpensive, rapid recharging flash is only 17.5 Watt-seconds (Joules; calculated as $\frac{1}{2} CV^2$ where C is in μF and V is in volts) power but is readily available and easily modified. It works well enough for casual use but runs on batteries only so has greater operating expense than an AC/DC unit.

California swap meet prices for *used* strobes range from \$4.00 to about \$18.00. One Sunday the writer found a dozen ac/dc strobes, all in good working condition. Carry four AA batteries with you so you can test flash units before purchasing. Almost any brand or model of comparable output power (17 to 35 watt-seconds) should work. **Preferably select one with 115Vac as well as battery operating (dc) capability.**

First wind the applicator coil. Junk VHS videocassette reels are cheap, plentiful and adequate for this application. Remove 5 screws from shell, remove reels and discard shell. Be SURE alternative spools (if used) are non-conductive (plastic) or system will not work. Avoid shorter length VHS tape reels which may have center hubs larger than 1" dia. and won't hold sufficient wire. Drill $\frac{1}{4}$ " holes through hub and through center of flange(s). Make two 4" discs from $\frac{1}{4}$ " thick plastic, metal, plywood or *stiff* fiberboard, drill $\frac{1}{4}$ " center holes and another $\frac{1}{4}$ " hole off-center so coil's inside lead wire can be pulled through. These "stiffeners" must sandwich reel's flanges tightly so they won't warp or split as wire pressure builds up while winding progresses. A 2" (or longer) $\frac{1}{4}$ -20 machine nut and bolt with washers through centers will clamp flange stiffeners and reel and also provide a shaft to hold in a variable speed drill motor or similar winding device if used. Remove bolt and stiffeners when finished.

Specifications: Completely fill tape spool with #14 or 16 enameled copper magnet wire (130 to 160 turns) wound into the 1" dia. hub and 3- $\frac{1}{2}$ " OD spool with a gap width for wire of $\frac{5}{8}$ ". Scrape enamel insulation $\frac{1}{2}$ " from ends and tin. Pull inside end of magnet wire through hub and stiffener and to outside. About 1- $\frac{1}{2}$ " should fill spool. Remove bolt, stiffeners, and finished coil. Now solder ends of 4 ft. of *heavy* two-wire extension cord to each side of coil. A #14 finished coil weighs ~1 lb. 3 oz., has ~0.935 millihenry inductance, 0.34 Ω resistance, and takes ~20 minutes to hand wind or ~3 minutes with drill motor. An excellent alternative is an AMS brand air-core crossover inductor for home audio, MCM Electronics, Centerville, OH 45459, (800) 543-4330 catalog #50-940, 16 gauge, 0.58 Ω , 2.5mH, 2- $\frac{7}{8}$ " dia. \$10.65.

Strobe modification consists simply of wiring the finished applicator coil with 4 ft. leads in series between either flash tube electrode. Be extremely cautious when working with case open because a strobe's capacitor can hold a residual high-voltage charge for a long time even when "off." Before modifying and to avoid shock, short out the capacitor by placing clip leads directly across the flash tube. Remember to remove this shunt later. To install coil, unsolder wither wire from flash tube electrodes and connect one lead wire from coil to that side of tube. Connect the other lead from coil to the wire you just removed from tube. Insulate connections with tape. This places your coil *in series* with the flash tube and enables the lamp to act as an ionized gas relay or "thyatron" that dumps most of capacitor's stored energy through coil when fired. Lamp will still flash but less brightly. Cover flash window with black paper. Melt wire-slot with soldering iron. Replace case. You're done!

Is it working properly? A good way to test strength of pulsed magnetic energy is to lay a thin *steel* washer (one strongly attracted to magnet) flat on top of coil, $\frac{1}{2}$ " off center. A 1" dia. "fender" washer with $\frac{1}{8}$ " center hole works well. Let the flash unit charge for about ten seconds or until the strobe's "ready light" comes on then

push flash button and see how high the washer is “kicked” by Eddy current repulsion. A 35 watt-second strobe repels this washer over a foot vertically. Think of your pulsed coil as the “primary” of a transformer and anything conductive nearby (living tissue included) as the “secondary” in which current is induced when cut by coil’s time-varying magnetic lines of flux. Your do-it-yourself magnetic pulse generator delivers a measurable output intensity *several thousand times* more powerful during each cycle than \$7,000.00 German “Magnetotrons®”, Elecsystem “Biotrons®”, or Canada’s “Centurion®” devices widely exhibited at holistic medical expos, none of which is *nearly* powerful enough for effective HIV, herpes, hepatitis or Epstein-Barr neutralization. Pulsers are also functionally similar to the “Diapulse®” miracle-working healing modality when coil is applied over liver and other organs. Regular permanent magnets no matter how powerful in Gauss absolutely will **not** work for this application regardless of claims since only a **time varying** field induces a significant current in tissue. Magnetic fields and therefore induced currents penetrate *all* body cells, bones and tissues in proximity to coil (effective approx. 8 inches deep) and can theoretically neutralize electro-sensitive pathogens and viruses such as herpes B, HIV, hepatitis, Epstein-Barr and possibly many others as yet undiscovered that hide *within* nerve sheaths and are therefore untouchable via immune system, white cells, or injectables. This may account for the impossibility of curing many known chronic infections via pharmaceuticals, antibiotics, or any presently known conventional treatments other than electrotherapy. Use pulser on body sites daily. This pulser is safe to use anywhere on the head and body except with cardiac pacemaker users. See page 38 for lymph locations. Zap sites at ~10 second intervals for ~20 minutes daily.

To use press fully insulated coil flat against body over lymph glands and other selected locations such as shown on page 38. Let strobe build up to full charge (about 4 to 10 seconds between pulses) and flash while pressing coil over each selected site. Subjects will feel no physical sensations except for light “thumps” during this phase of electrification. ***Exposure levels are considered safe because intensity of this magnetic pulser is much lower than Magnetic Nuclear Resonance Imaging in routine use of tens of thousands of patients.*** But should subject feel “headachy”, nauseous, sluggish, or display flu-like symptoms after exposures with either of these two devices, reduce number of pulses *or* duration of blood clearing process and drink ozonated water. If immune system is very badly damaged, you may need to repeat all routines after several months to insure neutralization. *When using, keep coil several feet away from credit cards, watches, magnetic tape, computers, floppy disks, homeopathic remedies, etc.*, since its powerful magnetic field can de-gauss and erase magnetic data as well as subtle energy potentized medicines. As an unanticipated serendipity, pulsers are reported to erase deeply rooted lymph and tissue pathology and possibly even classical “miasmas” as well as many other microbes, fungi, bacteria, parasites and viruses. Flash should preferably be used with AC power to save battery costs since you’ll only get about 40 full pulses per new set of alkaline batteries. For sanitary purposes, enclose coil in plastic zip-lock discardable sandwich bag. When treating numerous subjects if there’s no AC adapter it is economical to utilize a small rechargeable lead-acid “motorcycle” battery. SOTA Instruments latest pulser measures 600µF, 330-350V; 36.75 Joules; 21,429 Gauss at 105 Amperes peak; 17,850 Ampere Turns; pulse rise time ~1.8 microseconds; pulse duration ~2.5 milliseconds; lifetime ~250,000 cycles; and penetrates ~8” through tissue. SOTA can be reached at 1-800-224-0242, fax: 250-814-0047.

How much should this cost? Used electronic strobes cost ~\$2.00 to ~\$18.00. Three ½ lb. Spools of #14 magnet wire retail for #9.66 ea. At Action Electronics (you’ll need ~1-½ lb.), 4-AA alkaline batteries, \$2.89. A 12 ft. #14 X2-wire 15 amp. ac extension cord costs about \$2.00 and makes 3 sets of leads, or use heavy-duty speaker wire. VHS spools ~50¢. Wholesale wire from \$2.50 to \$4.35/lb. In 10 lb. Rolls at Pacific Wire & Cable, 1228 S. Village Way, Santa Ana, CA 92704, (714) 558-1864 ~one week delivery. **~\$12.00 minimum/\$60.50 maximum.**

Polarity: Either side of the coil—North or South Pole—will create the necessary microcurrents of electricity in tissue. For prolonged use, it is possible that it is better to use the North (–) or South-seeking side as this pole is known to have a balancing effect. The South Pole of a magnet is known to have a stimulating effect.

Locations of Principle Lymph Sites

Gray's Anatomy pgs. 624 to 633

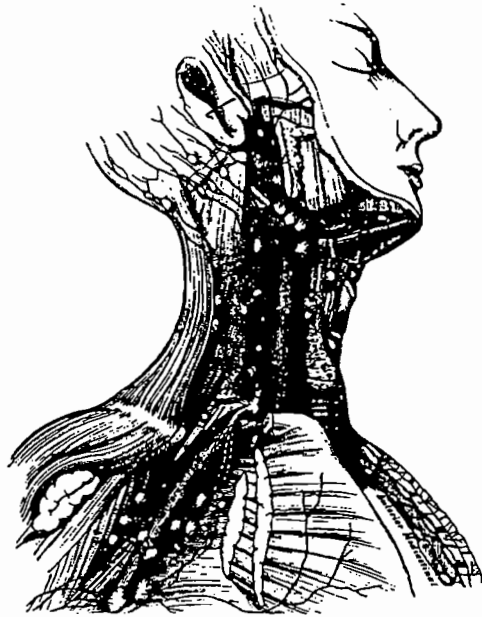


Fig. 339.—The deep lymphatics and glands of the neck and thorax.

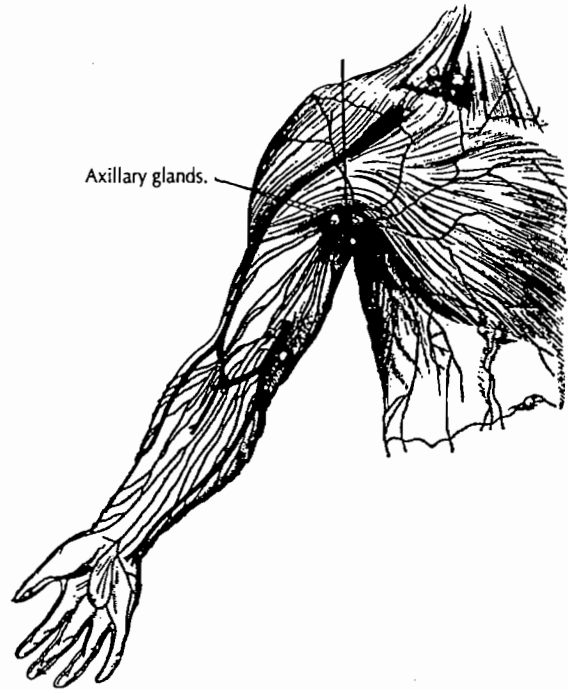


Fig. 340.—The superficial lymphatics and glands of the upper extremity.

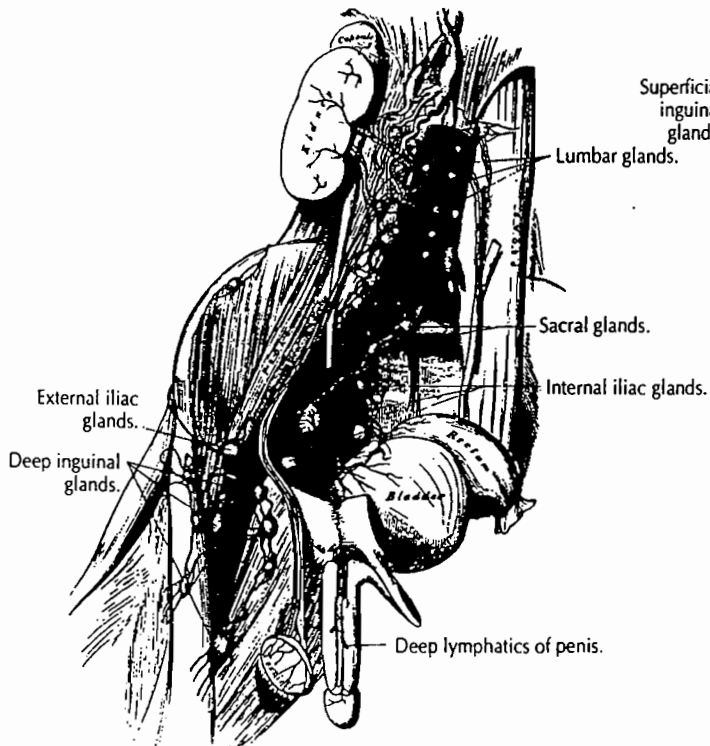


Fig. 342.—The deep lymphatic vessels and glands of the abdomen and pelvis.

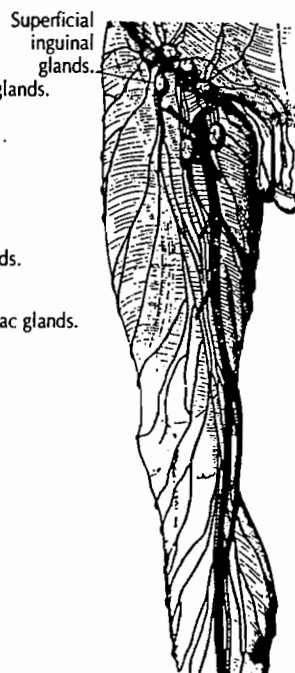


Fig. 341.—The superficial lymphatics and glands of the lower extremity.

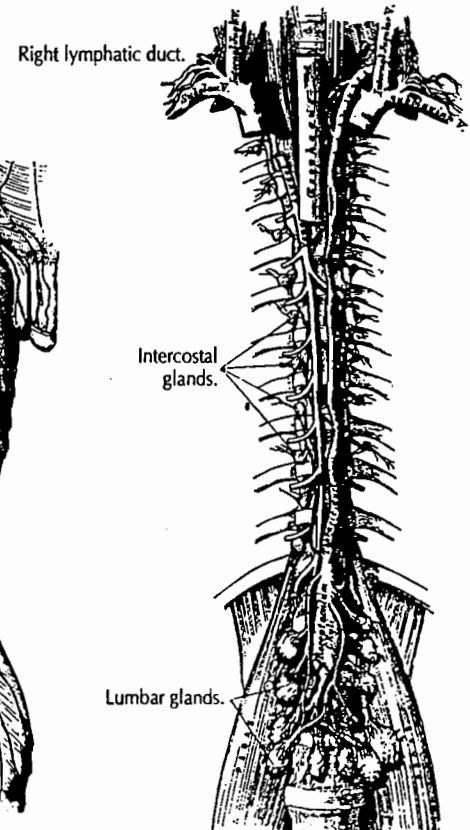


Fig. 337.—The thoracic and right lymphatic duct.

Water Ozonator

A New Paradigm for Instant Healing

©Copyright 1998 Robert C. Beck, D.S.C., USA

Disclosed here is a revolutionary do-it-yourself, safe, natural, inexpensive *proven* solution to infectious diseases based on blood electrification. It requires no doctors, drugs, or other outside intervention. It costs practically nothing. Clinical tests have confirmed these four steps can "cure" HIV (AIDS), Cancer, Hepatitis, Lupus, Epstein-Barr, Gulf War Syndrome, Giardia, Candida, and even the common cold, plus most other known infectious diseases including ones for which there are no currently successful antibiotics, vaccines, or treatments. It is offered to humanity as a no-profit, informational-only, empowerment for everyone who wishes to be healthy again. We have nothing for sale.

Unbelievable breakthrough in recent research.

HOW?

Four separate discoveries are combined in this new "cocktail" paradigm. Together they provide confirmed sweeping magic-bullet "cures" clinically tested and demonstrated to actually eliminate most "incurable" afflictions, *If you do it yourself, you have nothing to buy except parts and batteries. Most have unconscious death-wishes manifested as disbelief, aversion, resistance and "defeat the unorthodox healer." But you must take back your own power and be willing to let go of your crutches.*

What are the four easy protocols?

1. Blood Electrification . Microcurrents are known to eliminate all viruses, parasites, fungi, bacteria and pathogens in blood. Disclosed by many revolutionary patents and research over past years, these breakthroughs were lost or suppressed. The method was rediscovered by Einstein College of Medicine as an AIDS cure in 1990, then silenced.
2. Pulsed Kilogauss Magnetic Fields: Externally applied magnetic resonance of lymph, spleen, kidney & liver helps neutralize germinating, latent alien invaders and blocks re-infection. This quickens disease elimination, restores the immune system and supports detox-

ification. Permanent magnets, no matter how strong, will not nor can not scavenge pathogens with back-emf currents. You must have a sharp time-varying, not DC, magnetic impulse.

3. Silver Colloids: Pennies-per-gallon self-made perfected colloids greatly assist in eliminating all known pathogens and guard against opportunistic infections. This "second immune system" is synergistic with steps 1, 2, and 4.
4. Drinking Ozonized Water: Rapid, safe, totally natural cell oxygenation without free radical damage. Universal detoxification by oxidation of wastes, dead and neutralized pathogens, (all anaerobic) reducing all to $H_2O + CO_2$ without colonics, heat, liver and kidney flushing, herbs or other modalities. A low-cost, O_3 generator is fully described.

These four do-it-yourself tools are fully disclosed with detailed illustrated instructions for use. Utilized together and for two hours a day for about three weeks, they eliminate diseases. There is nothing to buy. No outside intervention, pharmaceuticals, herbs, enzymes or other treatments appear necessary. Some persons may need extra rest, liquids, trace minerals plus vitamins B and C during recovery. Malingerers justify avoidance by repeatedly demanding more "proof." If you show 100 cures, they'll insist on 1000, being more comfortable with peer approval than anything new.

Have these four proven cures been known previously?

Apparently, but not in combination. Related discoveries have been reported in medical journals and patents over many years. Most were lost, ignored, disbelieved or suppressed by doctors and pharmaceutical cartels because this knowledge thwarts profiteering from people's suffering. US patents on related inventions establish public domain by prior state-of-the-art (many are pre-1982). Such miracle "cures" have been independently rediscovered and proven effective many times. Lately all four combined therapies were tested. This proved to be a synergistic breakthrough - the *magic-bullet* solution to most diseases

was found and confirmed by clinical studies including numerous PCR tests plus disappearance of all symptoms.

Why haven't doctors revealed this before now?

A patient cured is a medical customer lost! When actualized, these data could interrupt HMO profits; disrupt medical-pharmaceutical cartels; abort all biological warfare schemes; eliminate most drugs, medicines, debility, and early deaths; wipe out hospital and health care capital investments; minimize insurance machinations; dramatically abate sickness and suffering; plus imperil social security futures with bankruptcy; wreck sales of supplements, herbs, homeopathic and other health "remedies," machines, and practitioner's incomes. These are not politically correct.

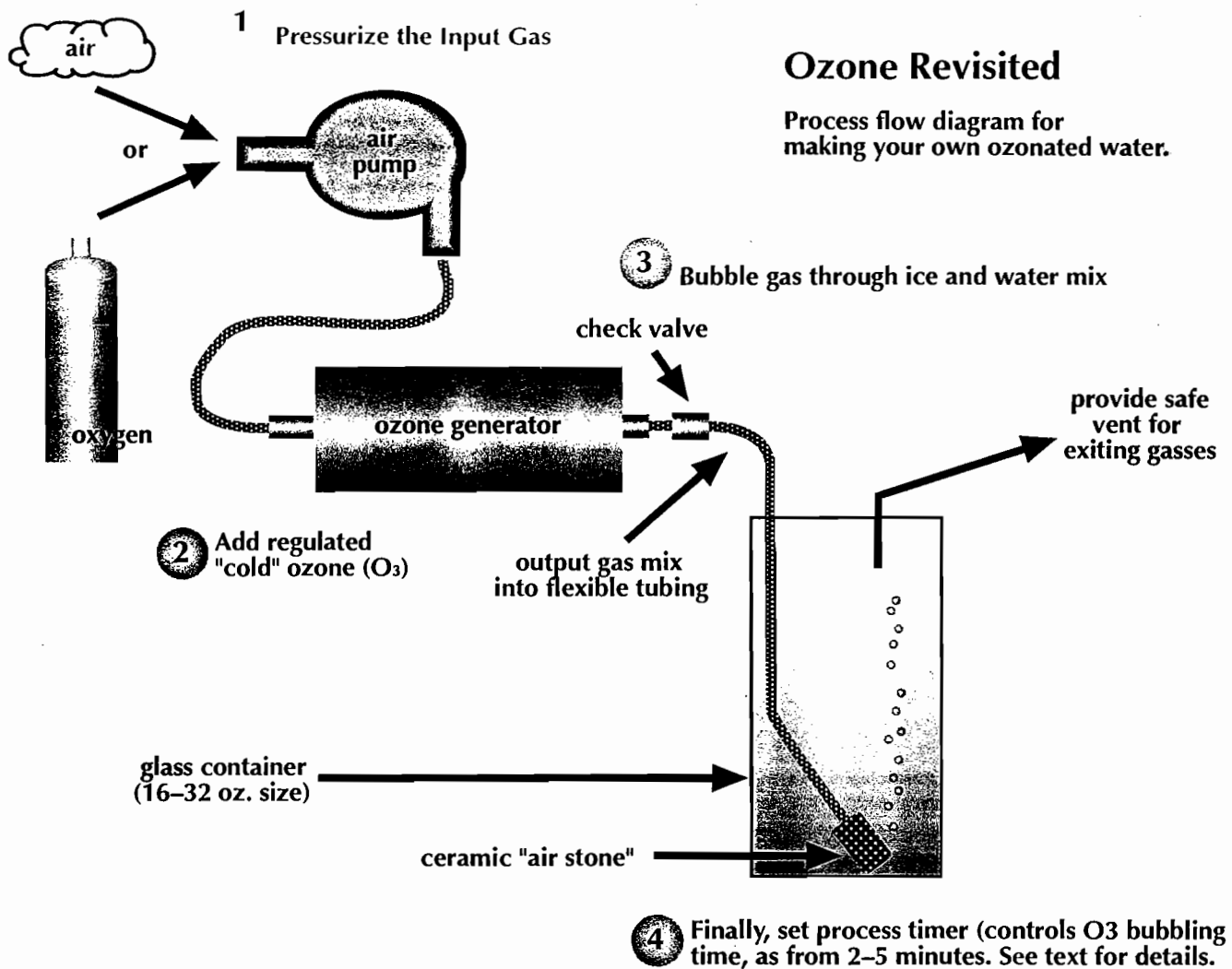
It might permit a few ethical practitioners to keep their Hippocratic oaths by giving back the patient's sovereignty instead of serving the AMA, FDA, and drug cartels. But this would decimate their incomes.

Ozone Revisited

Recent reevaluation of ozone suggests that while it is controversial as a stand-alone therapy, O_3 when directly ingested in water simultaneously with electroporation (biphasic microcurrents in arteries) provides a truly remarkable boost to total system oxygenation, *plus natural and rapid detoxification..* Measurements show dramatic increases in blood oxygen within minutes using meters like the Nellcor AE NPB-40 "Percent Oxygen Saturation Meter"¹.

Many different "Ozonizers" sold at health expos for prices up to \$4,700 are large heavy suitcases, must plug into AC, and almost universally use vastly inferior *Ultra-Violet* systems and bottled oxygen instead of the preferred high-voltage cold-corona utilizing *air* for ozone production. Described here is a superior design *producing faster, more concentrated O_3* than other available home units. It is a very portable three-way, stand-alone system. You can choose to utilize either internal battery power, or car lighter powered input. It can be put together by anyone for

EXPLORE! VOLUME 8, NUMBER 4, 1998



© Copyright 1998 Robert C. Beck. Offered for Educational Research and Informational purposes only... not intended as Medical Advice!

Note: always drink or use ozonated water within 20 minutes after making. **Caution:** do not breath in ozonated gas... (the chemical activation that gives it power to cleanse is too strong for lung tissue and can easily cause damage.

a fraction of the cost of top-of-the-line ozonizers. A second cheaper but slower do-it-yourself design using AC power only is also shown here. It uses inexpensive parts for the budget-minded but still works superbly. O_3 unlike other forms of oxygen carries *negative* electrical charges that specifically *counteract* free radical damages, scavenge crosslinking and recharge depleted cells. Ionic silver colloids also greatly assist this "rejuvenation" process by restoring free electrons.

O_3 rapidly converts (oxidizes) all known toxins and wastes long present in your body cells to H_2O and CO_2 which flush out easily and rapidly *without* utilizing colonics, lymph, spleen, liver, or kidney detoxing or any other treatments.

Building a Compact, Line-Independent AC/DC Low Cost Powerful Ozone Generator Using Air Not Requiring Expensive Bottled Oxygen

Note: Nitrogen by-products, oxides and acids produced with air and cold corona discharge have been tested and found negligible and harmless in ozonized drinking water. But hot arcing produces unwanted byproducts using air; pure oxygen does not. So to be safe start with bottled oxygen and pure water only if making O_3 intended for intermuscular injection, insufflation, direct blood infusions, or with heparin for auto-dialysis (bubbling blood in a vessel for reinjection or "autohemotherapy"). "Medical" & "industrial" (welding) oxygen are identical and come from

the same tanks at suppliers who charge more by pretending that "medical-grade" oxygen is somehow "different." Ambient air works well for drinkable O_3 . The colder and purer your water and the deeper the container for greater pressure plus the smaller the volume of H_2O being bubbled, the most ozone dissolves faster and the longer it lasts. Ideal bubblers are ~3" dia. X 2-1/2 ft. high Teflon or Polypropylene tubes with airstone at very bottom. Tall, thin plastic bottles work almost as well but their greater content takes a little longer for saturation. Nonreactive Pyrex containers are better.

To use: submerge airstone to bottom and "bubble" ~10 OZ containers of 1/2 ice + 1/2 cold tap water in a large bottle for ~25 min. Drink immediately since

EXPLORE! VOLUME 8, NUMBER 4, 1998: Reprinted with Permission of Explore! Magazine. Phone: 1-800-845-7866 or 360-424-6025

Connect together in this order

- 1 12.6 V-1.2 Ampere-hour rechargeable lead-acid gel-cell battery (~1-1/2 hr. charge) \$16.50
- 1 In-line fuse holder² \$2.49
- 1 5-8 Amp short fuses; Female spade .187, 18-22 GA battery connectors³ \$3.15
- 1 Connector set, cigarette lighter male plug and female jack \$2.50
- 1 12 V dc to 110V ac inverter (NOTE power brand, model #PW-50)⁴ \$71.95
- 1 AC adapter to triple outlet (Drugstore) \$2.00
- 1 Aquarium aeration pump (Schego Optimal 5 W 250 liter/hour membrane)⁵ \$35.00
- 1 German Sander brand model 200 fish tank ozonizer, adjustable 0-200 mg O₃⁶ \$389.00
- 1 25 ft. flexible plastic airline tubing "OD cat. #14507" \$3.89
- 1 Check Valve (prevents water from back-siphoning into ozonizer) \$2.19

- 1 Airstone (glass bead or ceramic—not plastic) Fine bubbles, Kordon # 62503 \$2.49
- 1 (Optional) Spring-wound timer; 0-60 min. or SPST. Switch Fry's Electronics \$12.00
Switch cuts off system at selected time. Wire between battery and inverter. You may need a plastic, leather, or canvas camera bag or other small carrying case.
- Total retail price for currently preferred system: (Only \$324 wholesale.) \$540.50
- A less expensive but excellent system is described next. It plugs into 115V AC, uses less powerful and fewer parts, is somewhat slower, but produces the highest quality ozone from ambient air or bottled oxygen.
- 1 Sander⁸ model 25 hi-voltage cold-corona aquarium ozonizer.⁷ \$169.00
Misc., plastic tubing, check valve, fine bubble stone, extension cord, etc. \$8.60
- Total retail cost for complete system. (Only \$123.35 Wholesale) \$205.58

O₃ without stabilizers even in ice water has a half-life of about 20 minutes so retains full potency for only a short time. Benefits start in minutes and are far superior to many other expensive products claimed to provide "bound" oxygen (chlorites; ClO₂) or proprietary "Vitamin O" stabilized oxygen boosters. Ozone cannot be stored which is why everyone needs his own generator to make O₃ immediately before using for

the best possible results. Never breathe ozone or ozonized air as it damages (oxidizes) lung tissue even in small quantities. ♦

RESOURCES

1. Nellcor Puritan Bennett, Inc., Pleasanton, CA 94599, 1-(800)-NELLCOR
2. EM brand GMA 18 Ga.
3. Action Electronics, 1300 E. Edinger Ave., Santa Ana, CA 92705 (714)547-5169
4. Mar Vac Electronics, 2001 Harbor, Costa Mesa, CA 92627 (714)645-6448
5. Strictly Fish, 12227 Harbor Blvd., Garden Grove, CA (714)-750-7151
6. TIS Tropical Fish, 16175 Brookhurst, Fountain Valley CA (714)-839-1740
7. Fishland, 13079 Harbor Blvd., Garden Grove, CA 92643
8. List prices: Sander Ozonizers 25 mg-\$169.99; 50 mg-\$189.99; 100 mg-\$244.99; and 200 mg (most powerful "portable") for \$389. Purchase the strongest corona unit you can afford. Avoid cheaper, weaker Ultra-Violet types.

How You Can Protect Your Health

Check the research of Robert C. Beck, D.Sc. "A protocol for the theoretical elimination of viruses, parasites, bacteria, fungi, microbes, and moulds based on research surrounding U.S. Patent # 5,188,738 and others."

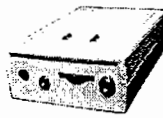
The Silver Pulser

Has *two* functions: Makes Electrically-Charged Colloidal Silver and theoretically neutralizes pathogens via Electrical Micro-currents.

Approved and Endorsed by Bob Beck.

Features: Unique design operates on a Single 9 Volt Battery. Outputs 27 Volts with Constant-Voltage. Pocket-Sized, Provision for AC-DC Wall Adapter.

3-Year Warranty on Internal Circuitry



\$175.

For research purposes only. Not to be construed as medical advice. (Pictures are not to scale.)

The Magnetic Pulser

Intense Time-Variant Pulsed Magnetic Field theoretically eliminates pathogens (not to be confused with EMR's or permanent magnets).

Approved and Endorsed by Bob Beck. Features: Unique design generates a ~36 Joule (Watt*Second) magnetic pulse of ~22 kilogauss. Charges in less than 5 seconds. Custom AC-AC Wall Adapter. 1 Year Warranty



\$195.

Water Ozonators

Stainless steel Cold-Corona Ozone Generating Chamber rated at 25 mg/hr using ambient air. (125 mg/hr using pure O₂). Ozonize an 8 oz. glass of water in 4 min. **\$225.**

Approved and Endorsed by Bob Beck.
One-Year Warranty

New Model Coming Soon—available in July. This unit will be rated at 200 mg/hr using ambient air and will meet minimum requirements for water purification. Priced in the \$350. range.

VISA/MasterCard/Discover

Practitioner Inquiries Welcome

To Order Call Toll Free:

1-800-224-0242

Tel: 250-814-0046 Fax: 250-814-0047

Prices Include Shipping

Free Newsletter

"Sharing Health from the Heart"

SOTA Instruments Inc., PO Box 866, Point Roberts, WA 98281-0866
SOTA Instruments Inc., PO Box 26161, Central Postal Station, Richmond, BC V6Y 3V3

Internet: <http://www.sota-inc.com>
E-Mail: anybody@sota-inc.com

WHY OZONE IS THE MOST POWERFUL,
RAPID, GENTLE, AND NATURAL
DETOXIFYING MAGIC KNOWN.

OZONE REACTIONS with COMMONLY USED CHEMICALS

Organic chemicals react with Ozone in a process similar to combustion. The reaction of an organic compound with Ozone and the combustion of the same compound yield carbon dioxide and water as the main end products. Ozone combines with most of the Hetro-elements found in organic compounds to produce the elemental oxide with the highest oxidation number.

Inorganic compounds of lower oxidation numbers react with Ozone to produce oxides, however there are a few inorganic compounds which will not react.

The compounds discussed here have been divided into groups according to commonly used organic and inorganic classifications to show products common to all the compounds in the group.

The compounds are grouped according to the following classification.

- I. ACIDS, ALCOHOLS, ALDEHYDES, KETONES.
- II. AROMATIC COMPOUNDS.
- III. ALIPHATIC COMPOUNDS.
- IV. CHLORIDES.
- V. NITROGEN CONTAINING COMPOUNDS.
- VI. SULFUR CONTAINING COMPOUNDS.
- VII. OTHER.
- VIII. NON-REACTIVE COMPOUNDS.

SUMMARY

- I. ACIDS, ALCOHOLS, ALDEHYDES AND KETONES
This group breaks down into carbon dioxide, water, and oxygen. This group includes: Acetic Acid, Acetone, Formaldehyde, Isopropyl Alcohol, M.E.K., Propylene Glycol. The sources of these chemicals in our homes include: Tobacco smoke, plywood, cabinets, furniture, particle board, office dividers, new carpets, new drapes, wallpaper, and paneling. Also in cosmetics, shampoo and in packaged, bottled, and canned market foods.
- II. AROMATIC COMPOUNDS
This group breaks down into carbon dioxide, water and oxygen. This group includes: Benzene, Camphor, and Toulene. These chemicals are associated with paint, new carpets, new drapes and upholstery.
- III. ALIPHATIC COMPOUNDS
This group breaks down into carbon dioxide, water and oxygen. This group contains Butane, L.P.G., Propane, Mineral Spirits. These are associated with hydrocarbons, tobacco smoke, gas burners, and furnaces.
- IV. CHLORIDES
This group breaks down into carbon dioxide, water, Cl₂O and oxygen. This group includes: Methyl Chloroform.
- V. NITROGEN CONTAINING COMPOUNDS
This group breaks down into water, nitrogen and oxygen. Ammonia, and Hydrogen Cyanide are members of this family.
- VI. SULFUR CONTAINING COMPOUNDS
This group breaks down into carbon dioxide, water, sulfuric acid and oxygen. Members of this group include: Ammonium Persulfate and Sodium Bisulfite.
- VII. OTHER
Of particular note: Alkylated Silicates form Carbon Dioxide, water, Silicon Dioxide and Oxygen. Silicon Dioxide is considered a respiratory hazard. Members of this group include: Non-ionic Detergents.
- VIII. NON-REACTIVE COMPOUNDS
Members of this group include: Hydrogen Peroxide, Potassium Persulfate, Sodium Bromate.

REACTIVITY WITH OZONE:

I. ACIDS, ALCOHOLS, ALDEHYDES, AND KETONES

1. ACETIC ACID Formula CH_3COOH .
Reaction with Ozone: $\text{C}_2\text{H}_4\text{O}_2 + 4\text{O}_3 \rightarrow 2\text{CO}_2 + 2\text{H}_2\text{O} + 4\text{O}_2$
2. ACETONE, Formula CH_3COCH_3
Reaction with Ozone: $\text{C}_3\text{H}_6\text{O} + 8\text{O}_3 \rightarrow 3\text{CO}_2 + 3\text{H}_2\text{O} + 8\text{O}_2$
3. n-BUTYL ACETATE Formula $\text{C}_6\text{H}_{12}\text{O}_2$
Reaction with Ozone: $\text{C}_6\text{H}_{12}\text{O}_2 + 16\text{O}_3 \rightarrow 6\text{CO}_2 + 6\text{H}_2\text{O} + 16\text{O}_2$
4. BUTOXYETHANOL Formula $\text{C}_6\text{H}_{14}\text{O}_2$
Reaction with Ozone: $\text{C}_6\text{H}_{14}\text{O}_2 + 17\text{O}_3 \rightarrow 6\text{CO}_2 + 7\text{H}_2\text{O} + 4\text{O}_2$
5. CETYL ALCOHOL Formula $\text{CH}_3(\text{CH}_2)_{15}\text{OH}$
Reaction with Ozone: $\text{CH}_3(\text{CH}_2)_{15}\text{OH} + 48\text{O}_3 \rightarrow 16\text{CO}_2 + 17\text{H}_2\text{O} + 48\text{O}_2$
6. FORMALDEYDE Formula HCHO
Reaction with Ozone: $\text{HCHO} + 2\text{O}_3 \rightarrow \text{CO}_2 + \text{H}_2\text{O} + 2\text{O}_2$
7. ISOPROPYL ALCOHOL Formula $\text{CH}_3\text{CHOHCH}_3$
Reaction with Ozone: $\text{CH}_3\text{CHOHCH}_3 + 9\text{O}_3 \rightarrow 3\text{CO}_2 + 4\text{H}_2\text{O} + 9\text{O}_2$
8. GLYCEROL Formula $\text{CH}_2\text{OHCHOHCH}_2\text{OH}$
Reaction with Ozone: $\text{CH}_2\text{OHCHOHCH}_2\text{OH} + 7\text{O}_3 \rightarrow 3\text{CO}_2 + 4\text{H}_2\text{O} + 7\text{O}_2$
9. METHACRYLIC ACID (glacial) Formula $\text{CH}_2\text{C}(\text{CH}_3)\text{COOH}$
Reaction with Ozone: $\text{CH}_2\text{C}(\text{CH}_3)\text{COOH} + 9\text{O}_3 \rightarrow 4\text{CO}_2 + 3\text{H}_2\text{O} + 9\text{O}_2$
10. METHYL-ETHYL-KETONE Formula $\text{CH}_3\text{COC}_2\text{H}_5$
Reaction with Ozone: $\text{CH}_3\text{COC}_2\text{H}_5 + 11\text{O}_3 \rightarrow 4\text{CO}_2 + 4\text{H}_2\text{O} + 11\text{O}_2$
11. PROPYLENE GLYCOL Formula $\text{C}_3\text{H}_8\text{O}_2$
Reaction with Ozone: $\text{C}_3\text{H}_8\text{O}_2 + 8\text{O}_3 \rightarrow 3\text{CO}_2 + 4\text{H}_2\text{O} + 8\text{O}_2$

II. AROMATIC COMPOUNDS

12. BENZENE Formula C_6H_6
Reaction with Ozone: $\text{C}_6\text{H}_6 + 11\text{O}_3 \rightarrow 6\text{CO}_2 + 3\text{H}_2\text{O} + 11\text{O}_2$
13. BENZYL ALCOHOL Formula $\text{C}_6\text{H}_5\text{OH}_2\text{OH}$
Reaction with Ozone: $\text{C}_6\text{H}_5\text{OH}_2\text{OH} + 17\text{O}_3 + 4\text{H}_2\text{O} + 17\text{O}_2$
14. N-BUTYL PHTHALATE Formula $\text{C}_{12}\text{H}_{14}\text{O}_4$
Reaction with Ozone: $\text{C}_{12}\text{H}_{14}\text{O}_4 + 27\text{O}_3 \rightarrow 12\text{CO}_2 + 7\text{H}_2\text{O} + 27\text{O}_2$

Ozone Reactions

15. CAMPHOR Formula $\text{C}_{10}\text{H}_{16}\text{O}$
Reaction with Ozone: $\text{C}_{10}\text{H}_{16}\text{O} + 27\text{O}_3 \rightarrow 10\text{CO}_2 + 8\text{H}_2\text{O} + 27\text{O}_3$
16. PARA-PHENYLENEDIAMINE Formula $\text{C}_6\text{H}_8\text{N}_2$
Reaction with Ozone: $\text{C}_6\text{H}_8\text{N}_2 + 16\text{O}_3 \rightarrow 6\text{CO}_2 + 4\text{H}_2\text{O} + \text{N}_2 + 16\text{O}_2$
17. RESORCINOL Formula $\text{C}_6\text{H}_6\text{O}_2$
Reaction with Ozone: $\text{C}_6\text{H}_6\text{O}_2 + 13\text{O}_3 \rightarrow 6\text{CO}_2 + 3\text{H}_2\text{O} + 13\text{O}_2$
18. STYRENE Formula $\text{C}_6\text{H}_5\text{CHCH}_2$
Reaction with Ozone: $\text{C}_6\text{H}_5\text{CHCH}_2 + 20\text{O}_3 \rightarrow 8\text{CO}_2 + 4\text{H}_2\text{O} + 20\text{O}_2$
19. TRICRESYL Formula $\text{C}_{21}\text{H}_{21}\text{PO}_4$ ("TCP")
Reaction with Ozone: $\text{C}_{21}\text{H}_{21}\text{PO}_4 + 102\text{O}_3 \rightarrow 42\text{CO}_2 + 21\text{H}_2\text{O} + \text{P}_2\text{O}_5 + 102\text{O}_2$
20. TOULENE Formula $\text{C}_6\text{H}_5\text{OH}$
Reaction with Ozone: $\text{C}_6\text{H}_5\text{OH} + 18\text{O}_3 \rightarrow 7\text{CO}_2 + 4\text{H}_2\text{O} + 18\text{O}_2$
21. XYLENE Formula $\text{C}_6\text{H}_4(\text{CH}_3)_2$
Reaction with Ozone: $\text{C}_6\text{H}_4(\text{CH}_3)_2 + 21\text{O}_3 \rightarrow 8\text{CO}_2 + 5\text{H}_2\text{O} + 21\text{O}_2$

III. ALIPHATIC COMPOUNDS

22. BUTANE Formula C_4H_{10}
Reaction with Ozone: $\text{C}_4\text{H}_{10} + 13\text{O}_3 \rightarrow 4\text{CO}_2 + 5\text{H}_2\text{O} + 13\text{O}_2$
23. ISOBUTANE Formula $(\text{CH}_3)_3\text{CH}$
Reaction with Ozone: $(\text{CH}_3)_3\text{CH} + 3\text{O}_3 \rightarrow 2\text{CO}_2 + 3\text{H}_2\text{O} + 2\text{O}_2$
24. LIQUEFIED PETROLEUM GAS General Formula: $\text{C}_n\text{H}_{2n+2}$
LPG (Liquefied petroleum gas) is a mixture of aliphatic, saturated hydrocarbons, therefore only a generic formula was used to describe the reaction with Ozone.
Reaction with Ozone: $\text{C}_n\text{H}_{2n+2} + \text{O}_3 \rightarrow n\text{CO}_2 + (n+1)\text{H}_2\text{O} + \text{O}_2$
25. MINERAL SPIRITS General Formula $\text{C}_n\text{H}_{2n+2}$
Mineral spirits are mixtures of aliphatic, saturated hydrocarbons, therefore only a generic formula was used to describe the reaction with Ozone.
Reaction with Ozone: $\text{C}_n\text{H}_{2n+2} + \text{O}_3 \rightarrow n\text{CO}_2 + (n+1)\text{H}_2\text{O} + \text{O}_2$
26. PROPANE Formula C_3H_8
Reaction with Ozone: $\text{C}_3\text{H}_8 + 10\text{O}_3 \rightarrow 3\text{CO}_2 + 4\text{H}_2\text{O} + 10\text{O}_2$

Ozone Reactions

IV. CHLORIDES

Chlorides are organic compounds which have one or more chlorine atoms in their structure. These compounds react with Ozone to produce hypochlorites, which in turn decompose to produce chloride and release oxygen as show in the following reaction: $\text{Cl}_2\text{O} + 2\text{Cl}^{-1} + 1/2 \text{O}_2$

27. METHYLENE CHLORIDE (Dichloromethane) Formula CH_2Cl_2
Reaction with Ozone: $2\text{CH}_2\text{Cl}_2 + 4\text{O}_3 \rightarrow \text{CO}_2 + \text{H}_2\text{O} + \text{Cl}_2\text{O} + 4\text{O}_2$
28. CHLOROFORM Formula CHCl_3
Reaction with Ozone: $6\text{CHCl}_3 + 8\text{O}_3 \rightarrow 6\text{CO}_2 + 3\text{H}_2\text{O} + 9\text{Cl}_2\text{O}$
29. METHYL CHLOROFORM Formula CH_3CCl_3
Reaction with Ozone: $2\text{CH}_3\text{CCl}_3 + 14\text{O}_3 \rightarrow 4\text{CO}_2 + 3\text{H}_2\text{O} + 3\text{Cl}_2\text{O} + 14\text{O}_2$
30. PERCHLOROETHYLENE Formula CCl_2CCl_2
Reaction with Ozone: $\text{CCl}_2\text{CCl}_2 + 6\text{O}_3 \rightarrow 2\text{CO}_2 + 2\text{Cl}_2\text{O} + 6\text{O}_2$
31. TRICHLOROETHYLENE Formula CHClCCl_2
Reaction with Ozone: $2\text{CHClCCl}_2 + 12\text{O}_3 \rightarrow 4\text{CO}_2 + \text{H}_2\text{O} + 3\text{Cl}_2\text{O} + 12\text{O}_2$

V. NITROGEN CONTAINING COMPOUNDS

32. HYDROGEN CYANIDE Formula HCN
Reaction with Ozone: $2\text{HCN} + 5\text{O}_3 \rightarrow 2\text{CO}_2 + \text{H}_2\text{O} + \text{N}_2 + 5\text{O}_2$
33. AMINO PHENOL General Formula $\text{CH}_3\text{C}_6\text{H}_4\text{NH}_2$
Reaction with Ozone: $2\text{C}_7\text{H}_9\text{N} + 37\text{O}_3 \rightarrow 14\text{CO}_2 + 9\text{H}_2\text{O} + \text{N}_2 + 37\text{O}_2$
34. AMMONIA Formula NH_3
Reaction with Ozone: $2\text{NH}_3 + 3\text{O}_3 \rightarrow \text{N}_2 + 3\text{H}_2\text{O} + 3\text{O}_2$
35. AMMONIUM HYDROXIDE Formula NH_4OH
Reaction with Ozone: $2\text{NH}_4\text{OH} + 3\text{O}_3 \rightarrow \text{N}_2 + 5\text{H}_2\text{O} + 3\text{O}_2$
36. BENZOPYRENE Formula $\text{C}_{20}\text{H}_{12}$
Reaction with Ozone: $3\text{C}_{20}\text{H}_{12} + 46\text{O}_3 \rightarrow 60\text{CO}_2 + 18\text{H}_2\text{O}$
37. EDTA (Ethylene Diamine Tetracetic Acid) Formula $\text{C}_{10}\text{H}_{16}\text{N}_2\text{O}_8$
Reaction with Ozone: $\text{C}_{10}\text{H}_{16}\text{N}_2\text{O}_8 + 20\text{O}_3 \rightarrow 10\text{CO}_2 + 8\text{H}_2\text{O} + \text{N}_2 + 2\text{CO}_2$
38. ETHANOLAMTNE Formula $\text{NH}_2\text{CH}_2\text{CH}_2\text{CH}$
Reaction with Ozone:
 $2\text{NH}_2\text{CH}_2\text{CH}_2\text{CH} + 13\text{O}_3 \rightarrow 4\text{CO}_2 + 7\text{H}_2\text{O} + 13\text{O}_2 + \text{N}_2$
39. PHENACE TIN Formula $\text{CH}_3\text{CONHC}_6\text{H}_4\text{OC}_2\text{H}_5$
Reaction with Ozone:
 $2\text{CH}_3\text{CONHC}_6\text{H}_4\text{OC}_2\text{H}_5 + 49\text{O}_3 \rightarrow 20\text{CO}_2 + 13\text{H}_2\text{O} + \text{N}_2 + 49\text{O}_2$

Ozone Reactions

VI. SULFUR CONTAINING COMPOUNDS

These compounds react with OZONE to produce sulfur trioxide (SO_3) which in the presence of water forms sulfuric acid, a strong mineral acid.

40. AMMONIUM PERSULFATE Formula $(\text{NH}_4)_2\text{S}_2\text{O}_8$
Persulfuric acid ($\text{H}_2\text{S}_2\text{O}_8$) is a very unstable acid which releases oxygen upon exposure to heat. Its decomposition product is sulfuric acid (H_2SO_4) a very strong mineral acid.
Reaction with ozone: $(\text{NH}_4)_2\text{S}_2\text{O}_8 + 3\text{O}_3 \rightarrow \text{N}_2 + \text{H}_2\text{S}_2\text{O}_8 + 3\text{H}_2\text{O} + 3\text{O}_2$
41. AMMONIUM THIOGLYCOLATE Formula $\text{NH}_2\text{COCH}_2\text{SH}$
Reaction with ozone:
 $2\text{C}_2\text{H}_5\text{SNO} + 17\text{O}_3 \rightarrow 4\text{CO}_2 + 5\text{H}_2\text{O} + \text{N}_2 + 2\text{SO}_3 + 17\text{O}_2$
42. SODIUM BISULFITE Formula NaHSO_3
Reaction with ozone: $\text{NaHSO}_3 + \text{O}_3 \rightarrow \text{NaHSO}_4 + \text{O}_2$
43. THIOGLYCOLIC ACID Formula HSCH_2COOH
Reaction with ozone:
 $\text{HSCH}_2\text{COOH} + 7\text{O}_3 \rightarrow 2\text{CO}_2 + 2\text{H}_2\text{O} + \text{SO}_3 + 7\text{O}_2$

VII. OTHER

44. ALKYLATED SILICATES General Formula $(\text{R}_n\text{SiO})_m$
These silicates produce SILICA (silicon dioxide) which is considered a Respiratory hazard.
Reaction with Ozone: $(\text{R}_n\text{SiO})_m + \text{O}_3 \rightarrow \text{CO}_2 + \text{H}_2\text{O} + \text{SiO}_2$
45. NON-IONIC DETERGENTS Formula C_xH_y
Non-ionic detergents do not have a generic formula, therefore the formula C_xH_y is used to define this class of compounds.
Reaction with Ozone: $\text{C}_x\text{H}_y + \text{O}_3 \rightarrow \text{CO}_2 + \text{H}_2\text{O} + \text{O}_2$

VIII. NON-REACTIVE COMPOUNDS

The following compounds do not react with OZONE.

46. CALCIUM OXIDE
Formula CaO
47. HYDROGEN PEROXIDE
Formula H_2O_2
48. PHOSPHORIC ACID
Formula H_3PO_4
49. POTASSIUM PERSULFATE
Formula $\text{K}_2\text{S}_2\text{O}_8$
50. SILICAS
Formula SiO_2
51. SODIUM BROMATE
Formula NaBrO_3
52. SODIUM PERSULFATE
Formula $\text{Na}_2\text{S}_2\text{O}_8$
53. STRONTIUM PEROXIDE
Formula SrO_2
54. TETRASODIUM PYROPHOSPHATE
Formula $\text{Na}_4\text{P}_2\text{O}_7$
55. TITANIUM DIOXIDE
Formula TiO_2
56. CARBON TETRACHLORIDE
(low temperature)
Formula Cl_4C

Ozone Reactions

QUICK SUMMARY

A New Paradigm for Instant Healing

For Informational and Educational Purposes Only. Not intended as medical advice.

Revision July 6, 1997. Copyright © 1997/98 Robert C. Beck

Disclosed here is a revolutionary do-it-yourself, safe, natural, inexpensive protocol based on blood electrification put forth to researchers as a possible solution to infectious diseases. It costs practically nothing. Anecdotal feedback confirms some researchers are having success in the war against HIV (AIDS), CANCER, HEPATITIS, LUPUS, EPSTEIN-BARR, GULF WAR SYNDROME, GIARDIA, and others including the common cold. It is offered to humanity as information only; empowerment for everyone who wishes to be healthy again. We have nothing for sale.

HOW? Four separate discoveries are combined in this new “cocktail” paradigm. *If you do it yourself you have nothing to buy except parts and batteries. Most people have unconscious death-wishes manifested as disbelief, aversion, resistance and “defeat the unorthodox healer.” But you must take back your power and assume responsibility for your own health.*

What are the four easy protocols?

- 1. Blood Electrification:** In the laboratory, microcurrents are known to eliminate all viruses, parasites, fungi, bacteria and pathogens in blood. Disclosed by many revolutionary patents and research over past years, (back to 1897) these breakthroughs were lost or suppressed. The method was rediscovered by Einstein College of Medicine as an AIDS cure in 1990, then silenced. Blood electrification takes 2 hours daily for a minimum of four weeks.
- 2. Pulsed Kilogauss Magnetic Fields:** Externally applied magnetic resonance of lymph, spleen, kidney & liver helps neutralize germinating, latent and incubating alien invaders blocking re-infection. This quickens disease elimination, restores the immune system and supports detoxification. Permanent magnets, no matter how strong, will not nor cannot scavenge pathogens with induced back-emf currents. You *must* have a sharp time-varying magnetic impulse.
- 3. Silver Colloids:** Pennies-per-gallon self-made ionic colloids greatly assist in eliminating all known pathogens and guard against opportunistic infections. This “second immune system” is synergistic with steps 1, 2, and 4.
- 4. Drinking Ozonized Water:** Provides rapid, safe, totally natural cell oxygenation without free radical damage. Universal detoxification by oxidation of wastes, dead and neutralized pathogens, (all anaerobic) reduces all to $H_2O + CO_2$. A low-cost, O_3 generator is fully described.

These four do-it-yourself tools are fully disclosed with detailed illustrated instructions for use. Utilized together and for two hours a day for at least four weeks, they eliminate all infectious and “incurable” diseases. There is nothing to buy after acquiring your own instruments. Your only expense is then for replacement batteries. Some persons may need extra rest, liquids, trace minerals plus vitamins B and C during recovery.

Have these four proven cures been known previously? *Apparently*, but not in combination. Related discoveries have been reported in medical journals and patents for over 100 years. Most were lost, ignored, disbelieved or suppressed by doctors and pharmaceutical cartels because this knowledge thwarts profiteering from people’s suffering. US patents on related inventions establish public domain by prior state-of-the-art (many are pre 1982.) Such miracle “cures” have been independently rediscovered many times and proven effective. Now all four combined therapies are presented for researchers taking responsibility for their own health.

Why haven’t doctors revealed this before now? When actualized, these data could interrupt HMO profits; disrupt medical-pharmaceuticals cartels, abort all biological warfare plagues; eliminate most drugs; wipe out hospital and health care capital investments; minimize insurance machinations; dramatically abate sickness and suffering; plus imperil social security futures with bankruptcy. These are not politically correct.

This technology might permit *ethical* health practitioners to keep their Hippocratic oaths by giving back the patient’s sovereignty instead of serving the AMA, FDA, and drug cartels for profit.

CERTIFICATION PROGRAM

Individuals and companies who want their units checked to ensure the output meets minimum requirements and specifications, can contact SOTA Instruments Inc.

For a small fee, SOTA will check your unit for compliance. Successful units will receive a Letter of Certification.

Contact SOTA at:

Phone: 250-814-0046

US Address:

PO Box 866
Point Roberts, WA
98281-0866

Canadian Address:

PO Box 1269
Revelstoke, BC
V0E 2S0

BACKGROUND INFORMATION

Robert C. Beck, B.E., D.Sc.

Bob Beck is widely known for his instrumentation of altered states in brain research, his development of state-of-the-art medical electrostimulators, and his investigation of Tesla electromagnetics.

He has been a consultant to Sandia Corporation, The USN Office of Surface Weaponry on the subject of E.L.F. detection, and was a Senior Staff Scientist at Eyring Research Institute. He was Acting Chief of Radiological Defense, OCD, in Los Angeles from 1958 through 1963.

He has designed and built extremely sensitive magnetometers for the Navy. He has been a senior lecturer in the graduate school, University of Southern California. In 1969, Bob founded the Monitor Electronics Research Corporation and the Alpha-Metrics Company for the manufacturing of ethical EEG biofeedback instruments.

As a university student, he designed and patented the low-voltage electronic flash (Strobelights, 1946). He owns several other patents involving electro-optical systems. He is currently investigating psycho-physiology and electromedical modalities.

Bob served on the Board of Directors of the U.S. Psychotronics Association for seven years and was their National President for three consecutive terms. He is co-chairman of the Los Angeles USPA and has been a professional member of the Audio Engineering Society, the Society of Motion Picture and Television Engineers, the Biological Photographers Association and other organizations.

In 1982, he developed the Brain Tuner. Research using the Brain Tuner is mentioned in *Super-Learning 2000* by Sheila Ostrander & Lynn Schroeder, 1994 and in *Mega Brain Power* by Michael Hutchison, 1994.

Bob resides in the Los Angeles area where he is active in energy, wholistic medicine, and the effects of electromagnetic energies on health and consciousness.

Dr. Beck is the recipient of international awards for Science and Electromedicine including:

- 1) Unprecedented two time winner of the J.G. Gallimore award for scientific achievement from the U.S. Psychotronics Association—the latest in 1998.
- 2) The John Fetzer Foundation pioneering award in 1990.

In addition, Bob has an extensive speaking background—health shows, Global Science conferences, the Granada Forum, universities and colleges. He has been interviewed on several television and radio shows.

#